

HUMMER H2/H2 SUT 2003-09

2 Clip, Upper Trim (a) (2)	11588650	3.68
<i>(a) Included w/Upper Trim Panel Assy</i>		
3 Panel Assy, Corner Trim		
H2		
2003	R 10358738	.2 154.94
	L 10358735	.2 155.33
2004		
To VIN 4H112737	R 10358738	.2 154.94
	L 10358735	.2 155.33
From VIN 4H112738	R 10358739	.2 134.04
	L 10358736	.2 131.09
2005	R 10358739	.2 134.04
	L 10358736	.2 131.09
H2 SUV	06-09 R 10391811	.2 102.41
	L 10391809	.2 102.41
4 Retainer, Corner Trim (b) (4/Side)	R/L 11588650	3.68
<i>(b) Included w/Corner Trim Panel Assy</i>		
5 Speaker, Rear		
H2	03-05 R/L 15054683	#.2 77.54
H2 SUV	06-09 R/L 15054683	#.2 77.54
<i>#w/Upper Corner Trim Panel Removed</i>		
6 Plate Assy, Sill		
H2	03-04 10358867	.2 d83.34
	05 10358868	.2 43.79
H2 SUV	06-09 10392652	.2 42.07
7 Retainer, Sill Plate (c)		
Ebony	05-09 11588650	3.68
Wheat	15721297	.36
<i>¶As Required</i>		
<i>(c) Included w/Sill Plate Assy</i>		

LICENSE LAMP 2003-05

001-17984

1 Lamp Assy, License-See Liftgate Section

LICENSE LAMP 2006-09

001-21980

1 Lamp Assy, License-See Wheel Section

SIDE MARKER LAMP

R&L Side Marker Lamp..... R/L #.2

#Included in R&R Quarter Panel

001-17985

1 Lamp, Side Marker R/L 15114677 #.2 116.96

#Included in R&R Quarter Panel

2 Bulb, Marker R/L N.A. #.2 0.00

#Included in R&L/R&R Side Marker Lamp

HIGH MOUNT STOP LAMP

R&L Stop Lamp..... #.1

#w/Liftgate Trim Panel Removed

001-17986

1 Lamp, Stop 15145321 #.1 168.66

2 Bulb, Stop Lamp (¶) N.A. #.1 0.00

¶As Required

#R&R Complete, w/Liftgate Trim Panel Removed

REAR BUMPER

Use Procedure Explanations 27 and 28 with the following text.

H2 2003-05

Refinish Impact Bar.....	1.0
R&L Bumper Assy.....	.6
O/H Bumper Assy (Includes R&L).....	1.2
Add to R&L/R&R or O/H Rear Bumper	
w/Spare Tire Carrier.....	.8

NOTE: All Parts in this section are included in overhaul unless noted otherwise.

001-26877

1 Bar, Impact	12335668	1.2	309.20
2 Cover, Bar	12335667	.8	218.57
3 Cap, Bumper End	R 12335666	#.2	182.46
	L 12335665	#.2	183.54
<i>#w/Rear Bumper Removed</i>			
4 Moulding, Bumper Outer	R 12335676		68.65

5 Support, Bumper End	L 12335677	1.0	69.77
	R 12335670	1.0	148.15
	L 12335669	1.0	153.61
6 Retainer, Fascia (3/Side)	R/L 10134407		.85
7 Bolt, Attaching (5/Side)	R/L 11519771		5.26
8 Nut, Bolt (4/Side)	R/L 11516781		4.82
9 Nut, Cover Retainer	11516763		4.25
10 Plug, Harness-See Frame Section			
11 Hook Assy, Tow	R 15109572	.2	158.87
12 Bolt, Hook Brkt (b)	R/L 11562051		15.56
Washer, Bolt			
13 Washer, Bolt (b)	R/L 15204555		14.44
Nut, Bolt			
14 Nut, Bolt (b) (¶) (b) Included w/Tow Hook Assy	R/L 11589152		7.05
15 Bolt, Upper Mounting (2/Side)	R/L 11561764		3.51
16 Bolt, Lower Mounting (2/Side)	R/L 11518591		4.04
17 Bracket, Bumper Support	R 15115464		82.48
	L 15115463		77.31

H2 SUV 2006-09

Refinish Impact Bar.....	1.0
R&L Bumper Assy.....	.6
O/H Bumper Assy (Includes R&L).....	1.2
Add to R&L/R&R or O/H Rear Bumper	
w/Rear View Camera.....	.6

NOTE: All Parts in this section are included in overhaul unless noted otherwise.

001-25013

1 Cover, Bar	89026784	.8	219.20
2 Bar, Impact			
w/Rear View Camera	19178227	1.2	912.64
w/o Rear View Camera	19121393	1.2	908.71
3 Cap, Bumper End	R 89026959	#.2	161.68
	L 89026960	#.2	159.59
<i>#w/Rear Bumper Removed</i>			
4 Moulding, Bumper Outer	R 12335676		68.65
	L 12335677		69.77
5 Support, Bumper End	R 12335670	1.0	148.15
	L 12335669	1.0	153.61
6 Retainer, Fascia (3/Side)	R/L 10134407		.85
7 Bolt, Attaching (5/Side)	R/L 11519771		5.26
8 Nut, Bolt (¶)	R/L 11516781		4.82
<i>¶As Required</i>			
9 Latch Assy, Support-See Wheel Section			
10 Bracket, Bumper Support	R 15115464		82.48
	L 15115463		77.31
11 Camera, Rear View	06-07 25824429	#.4	360.37
	08-09 15907724	#.4	369.37
12 Bracket, Camera	25824422	#	17.83
13 Harness, Rear View Camera	06 15296898	#.2	271.14
	07-09 N.A.	#.2	0.00
<i>#w/Rear Bumper Removed, Not Included in R&R or O/H</i>			

H2 SUT 2005-09

Refinish Impact Bar.....	1.0
R&L Bumper Assy.....	.6
O/H Bumper Assy (Includes R&L).....	1.2
Add to R&L/R&R or O/H Rear Bumper	
w/Spare Tire Carrier.....	.8
w/Rear View Camera.....	.6

NOTE: All Parts in this section are included in overhaul unless noted otherwise.

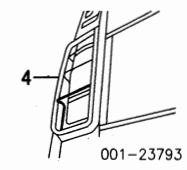
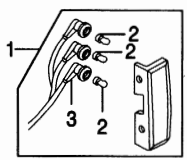
Illustration Located in Next Column

1 Cover, Bar			
2005-07	88980684	.8	186.25
2008			
1st Design	88980684	.8	186.25
2nd Design	N.A.	.8	0.00
2009	N.A.	.8	0.00
2 Bar, Impact			
2005-07	88980629	1.2	483.03
2008 (P)	19178228	1.2	920.46
2009	N.A.	1.2	0.00
<i>(P) Paint to Match</i>			
3 Cap, Bumper End	05-08 R 88980634	#.2	146.57
	L 88980633	#.2	150.10
	09 R/L N.A.	#.2	0.00
<i>#w/Rear Bumper Removed</i>			
4 Support, Bumper End (¶)	05-08 R 12335670	1.0	148.15
	L 12335669	1.0	153.61

REAR LAMPS

COMBINATION LAMP

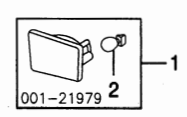
R&L Combination Lamp Assy.....	R/L	.2
R&L Lamp Guard.....	R/L	.2
R&R Lamp Guard.....	R/L	.2



1 Lamp Assy, Combination		
H2		
03-04 R	15193459	.2 281.18
	L 15193458	.2 282.55
	05 R 25874014	.2 208.90
	L 10367732	.2 261.63
H2 SUV		
06-07 R	25874014	.2 208.90
	L 10367732	.2 261.63
08-09 R	25874014	.2 208.90
	L 25784335	.2 207.06
H2 SUT		
05-09 R	25784334	.2 207.96
	L 25784335	.2 207.06
2 Bulb, Lamp (¶) (3/Side)		
H2	03-05 R/L 12450182	#.2 10.10
H2 SUV	06-07 R/L 12450182	#.2 10.10
	08-09 R/L 9441839	#.2 3.35
H2 SUT	05-09 R/L 9441839	#.2 3.35
<i>#Included in R&R Combination Lamp</i>		
3 Harness, Rear Lamps Wire	03/07 R/L 12335953-4	9.24
	08-09 R/L 19177219	46.43
<i>¶Included w/Combination Lamp Assy</i>		
4 Guard Kit, Lamp		
Dealer Installed		
Black	17801243	# 240.00
Chrome		
H2	05 17801242	# d363.00
H2 SUV	06-08 17801242	# d363.00
	09 N.A.	# 0.00
H2 SUT	05-08 17801244	# 363.00
	09 N.A.	# 0.00
<i>#See Headnotes for Labor Time</i>		

BACK-UP LAMP

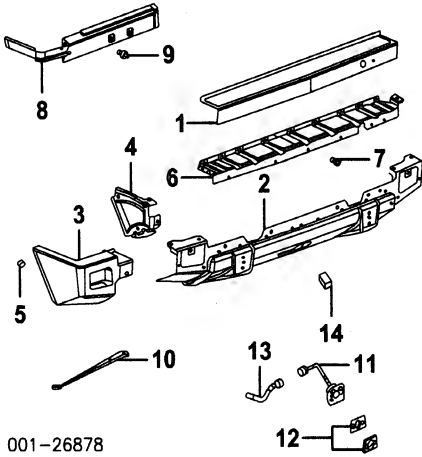
R&L Back-Up Lamp Assy.....	R/L	.2
----------------------------	-----	----



1 Lamp Assy, Back-Up	05-09 R 25952324	.2	107.03
	L 25952325	.2	105.66
2 Bulb, Back-Up (¶)	05-09 R/L 12450108	#.2	4.09
<i>¶Included w/Back-Up Lamp Assy</i>			
<i>#Included in R&L/R&R Back-Up Lamp Assy</i>			

REAR BUMPER Cont'd

H2 SUT
2005-09 Cont'd



001-26878

5 Retainer, Fascia (3/Side)	09 R/L N.A.	1.0	0.00
6 Support, Center	R/L 10134407		.85
	05-08 88980630	IOH	268.73
	09 N.A.	IOH	0.00
7 Bolt, Mtg (15)	11589032		2.20
<i>//Included w/Face Bar Assy</i>			
8 Panel, Filler	R/L 15194500-1		60.71
9 Retainer, Filler (4/Side)	R/L 15149708		1.05
10 Bracket, Outer	R 15115464		82.48
	L 15115463		77.31
11 Camera, Rear View	07 25824429	#.4	360.37
	08-09 15907724	#.4	369.37
12 Bracket, Camera	07 25824442	#	17.83
	08-09 25824442	#	17.83
13 Harness, Rear View Camera	15296898	#	271.14
14 Plug, Harness-See Frame Section	<i>#w/Rear Bumper Removed, Not Included in R&R or O/H</i>		