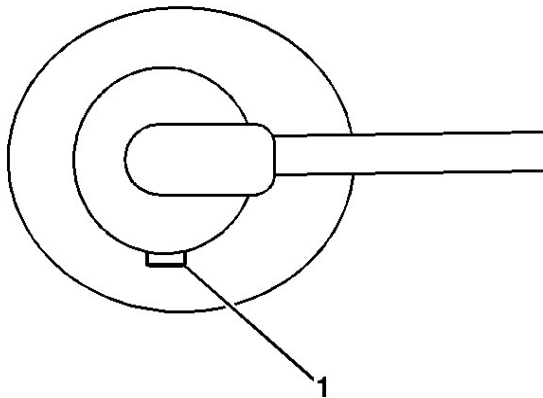
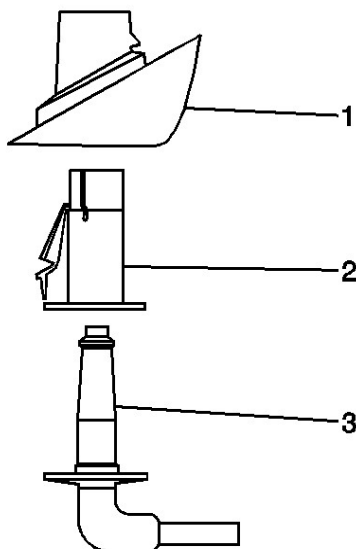


Sunshade Replacement

[Removal Procedure](#)



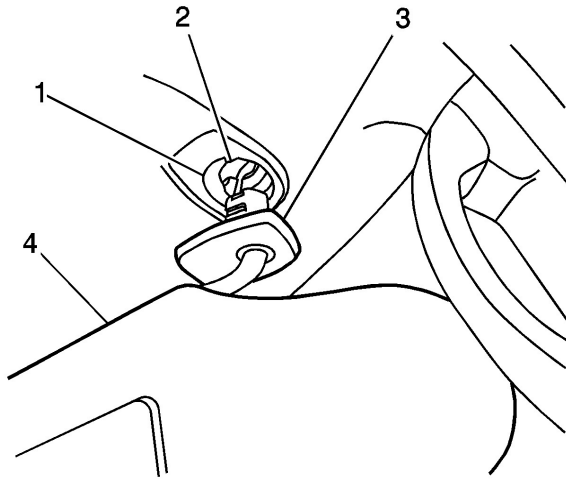
- Insert a small flat-bladed tool into the access hole (1) to disengage the primary retainer.



- Using firm upward pressure, push the sunshade elbow (3) up and rotate it to unlock the secondary retainer (2) from the body.

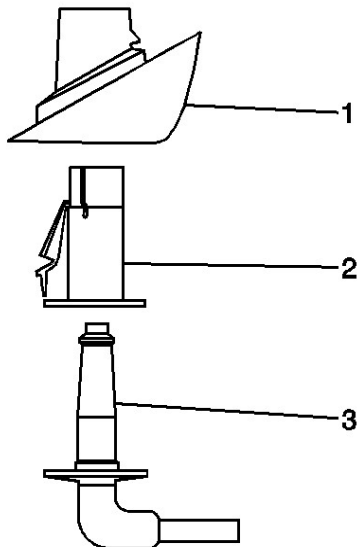
© 2020 General Motors Corporation. All rights reserved.

When the secondary retainer (2) is disengaged from the body, the elbow (3) and retainer (2) will be recessed into the bezel (1) approximately 12.5 mm (1/8 in).

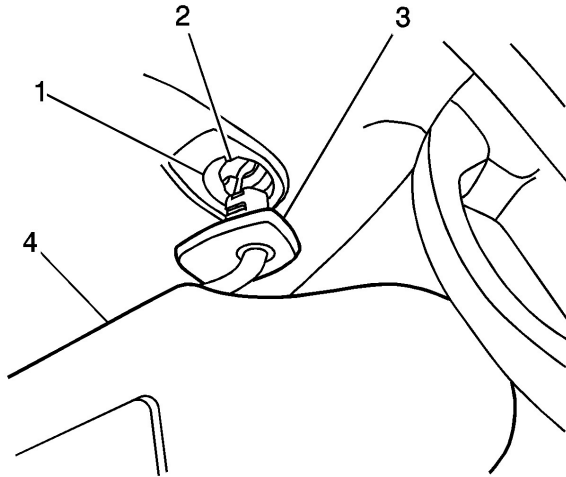


- Pull down to remove the sunshade (4) and bezel (3) as a complete assembly.
- Disconnect the electrical connection for the vanity mirror.

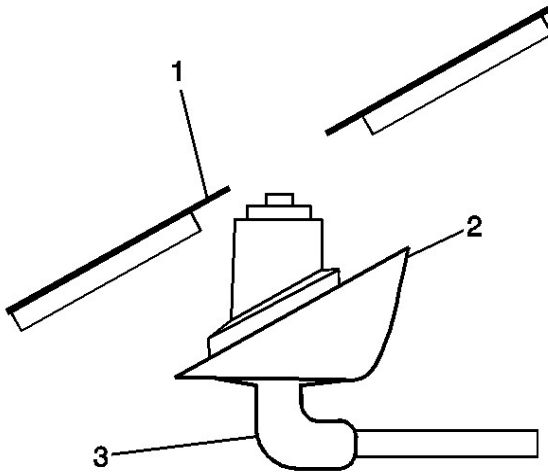
Installation Procedure



- Connect the electrical connector for the vanity mirror.
- Pull outward on the bezel (1) and rotate until the elbow (3) and bezel are flush with each other.



- Align the sunshade bezel (3) to the opening in the headliner (1) and the locking ring (2).



- Push the sunshade (2) up until it locks into the locking ring (1) and body.
An audible click will be heard.