

SYSTEM WIRING DIAGRAMS

Hummer - H2

AIR CONDITIONING

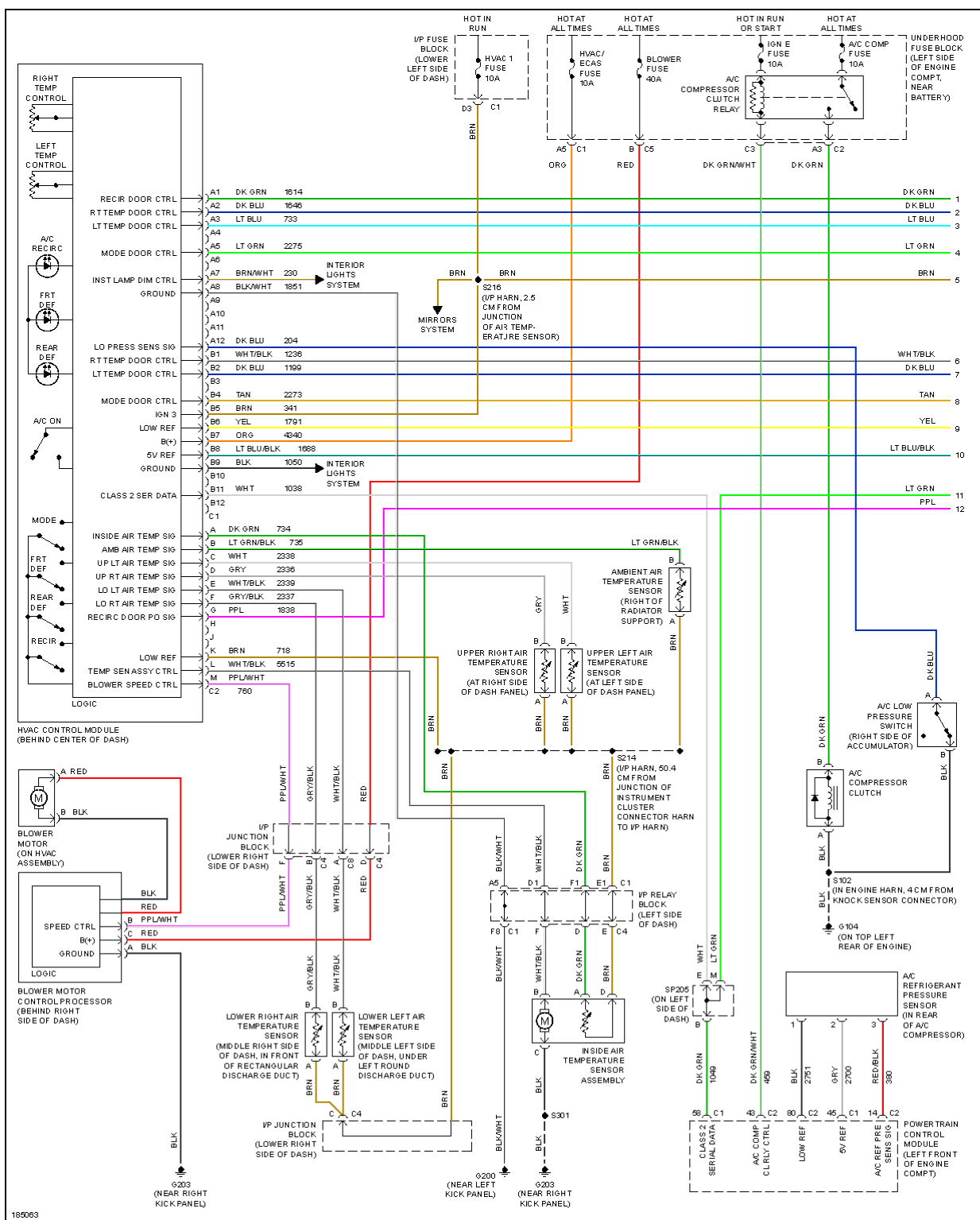


Fig. 1: Automatic A/C Circuit (1 of 2)

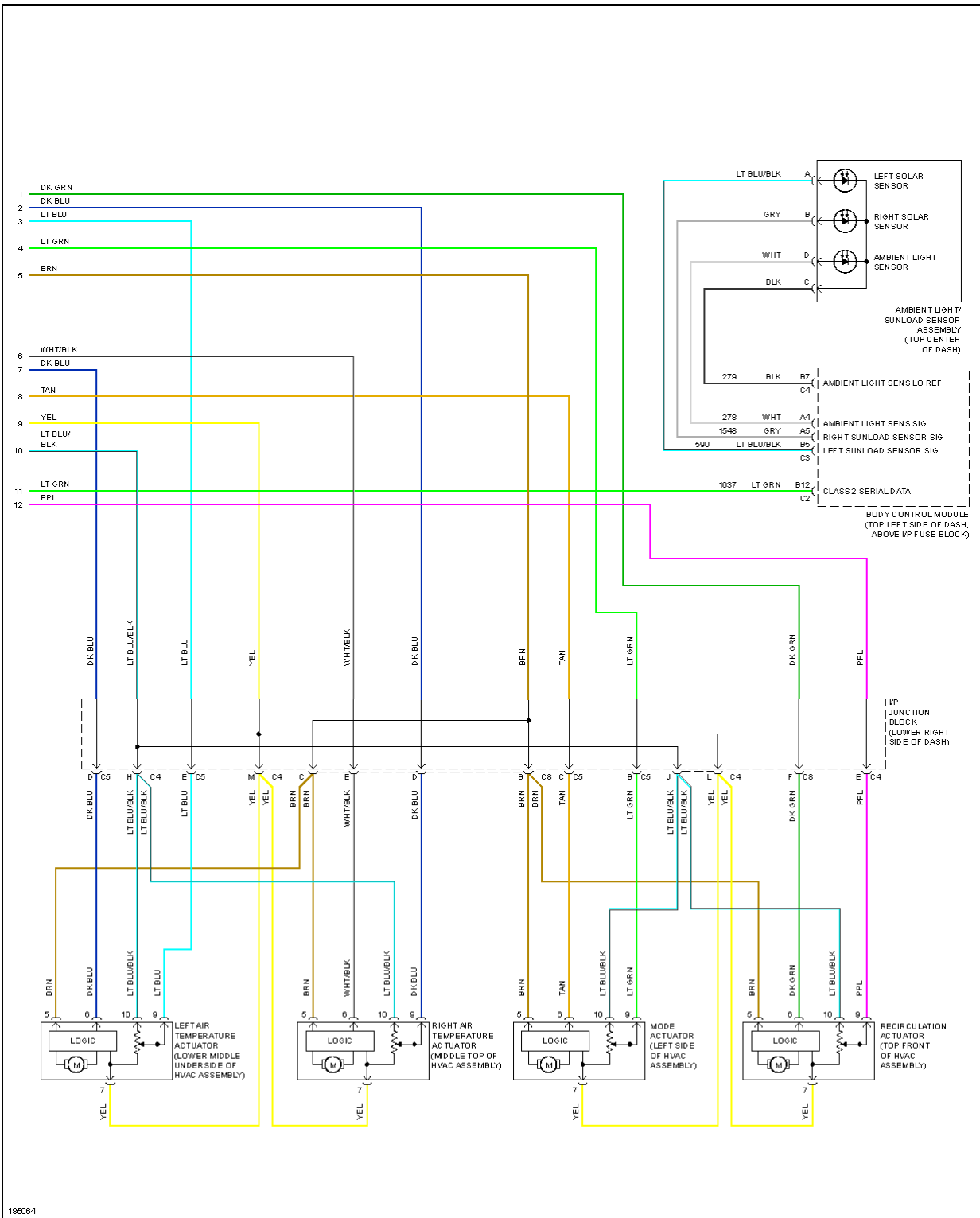


Fig. 2: Automatic A/C Circuit (2 of 2)

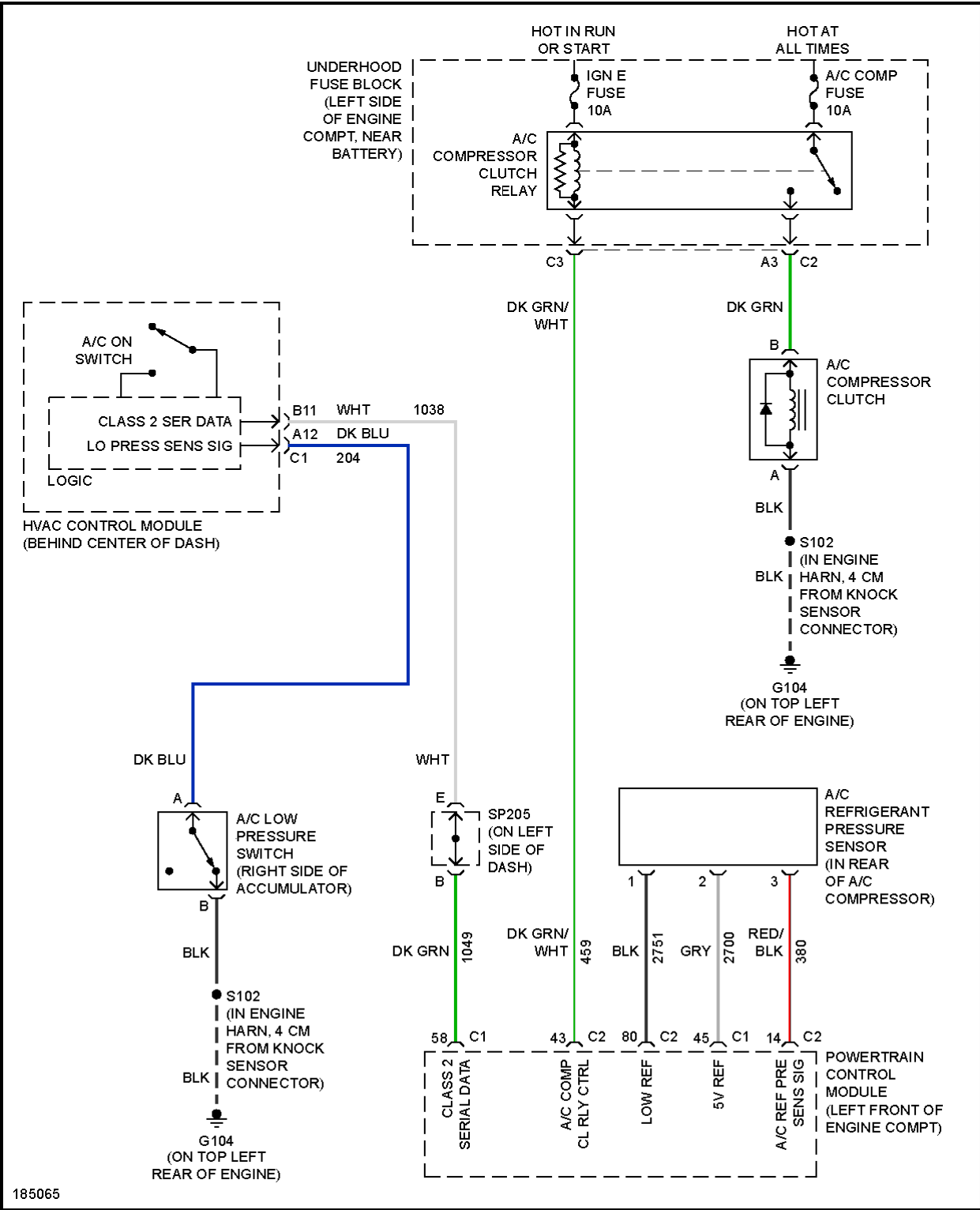


Fig. 3: Compressor Circuit

ANTI-LOCK BRAKES

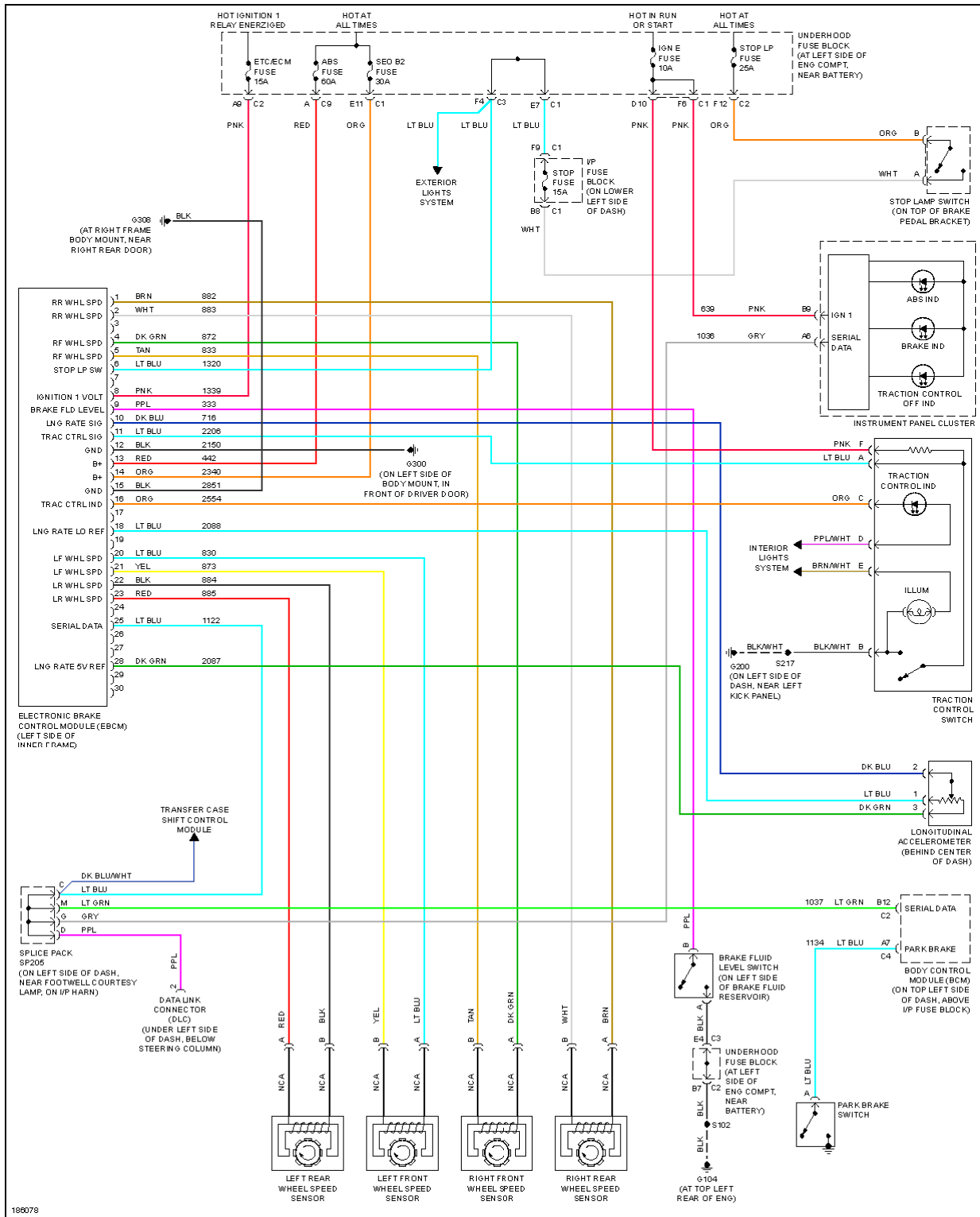


Fig. 4: Anti-lock Brakes Circuit

ANTI-THEFT

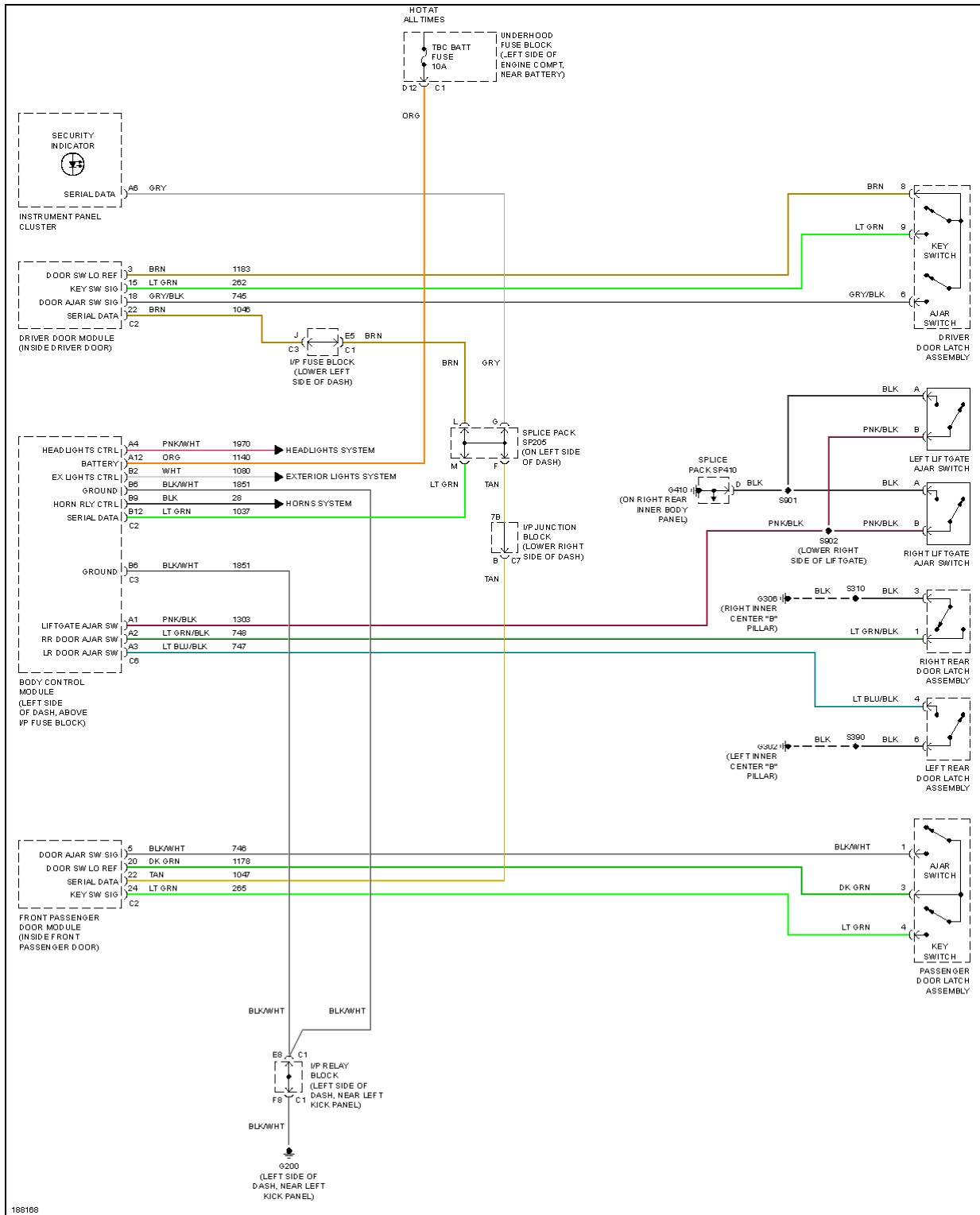


Fig. 5: Forced Entry Circuit

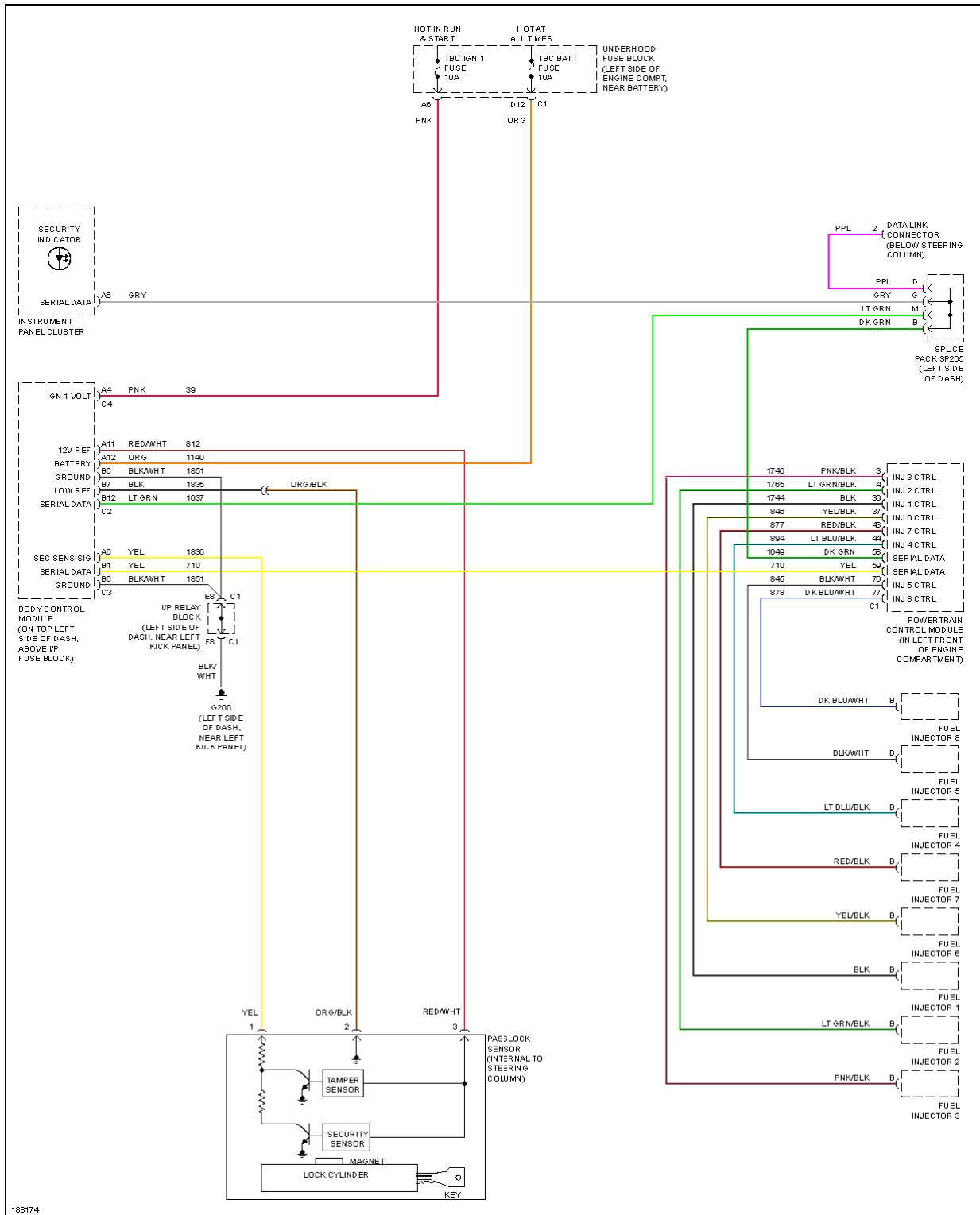


Fig. 6: Passlock Circuit

BODY CONTROL MODULES

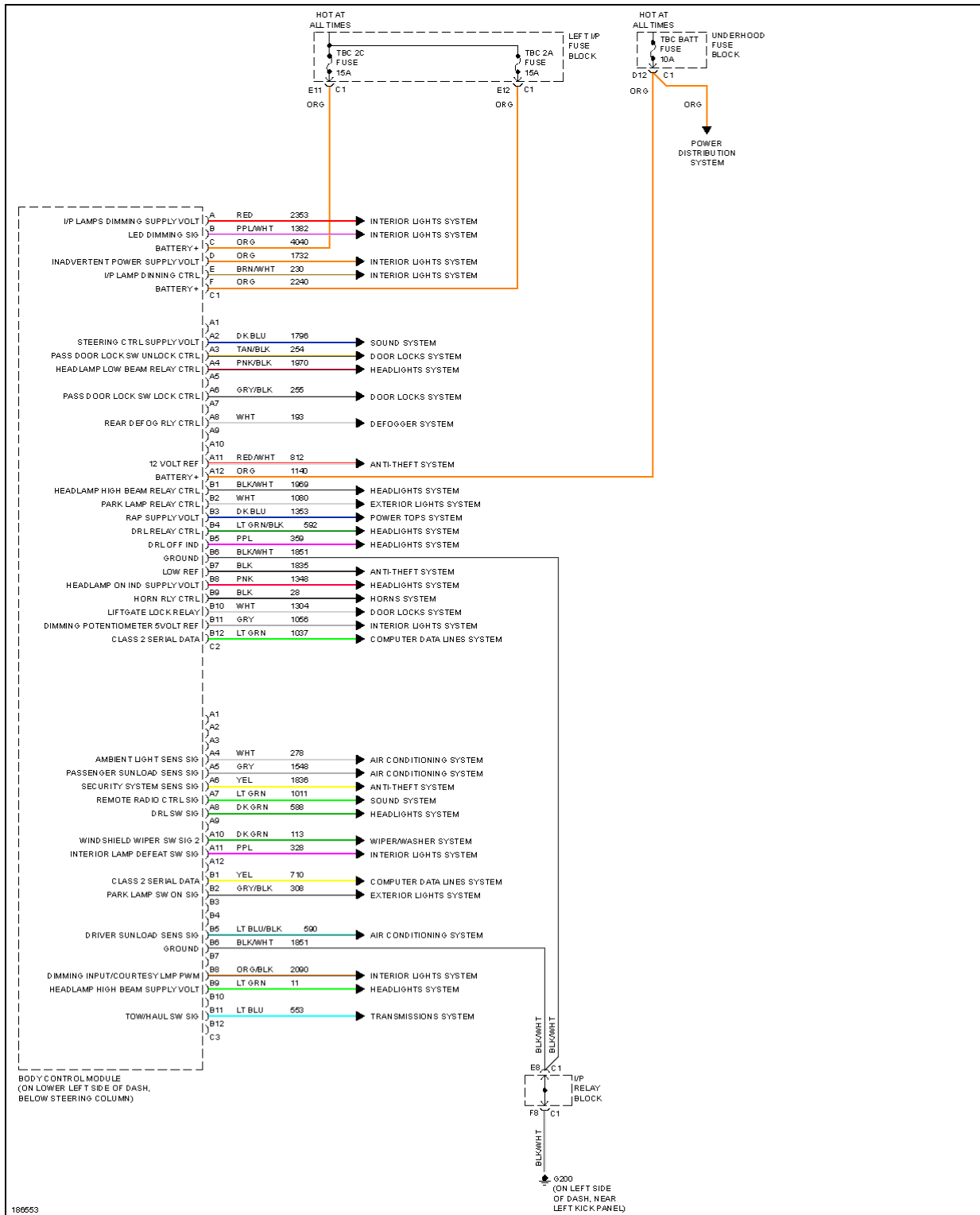


Fig. 7: Body Control Modules Circuit (1 of 2)

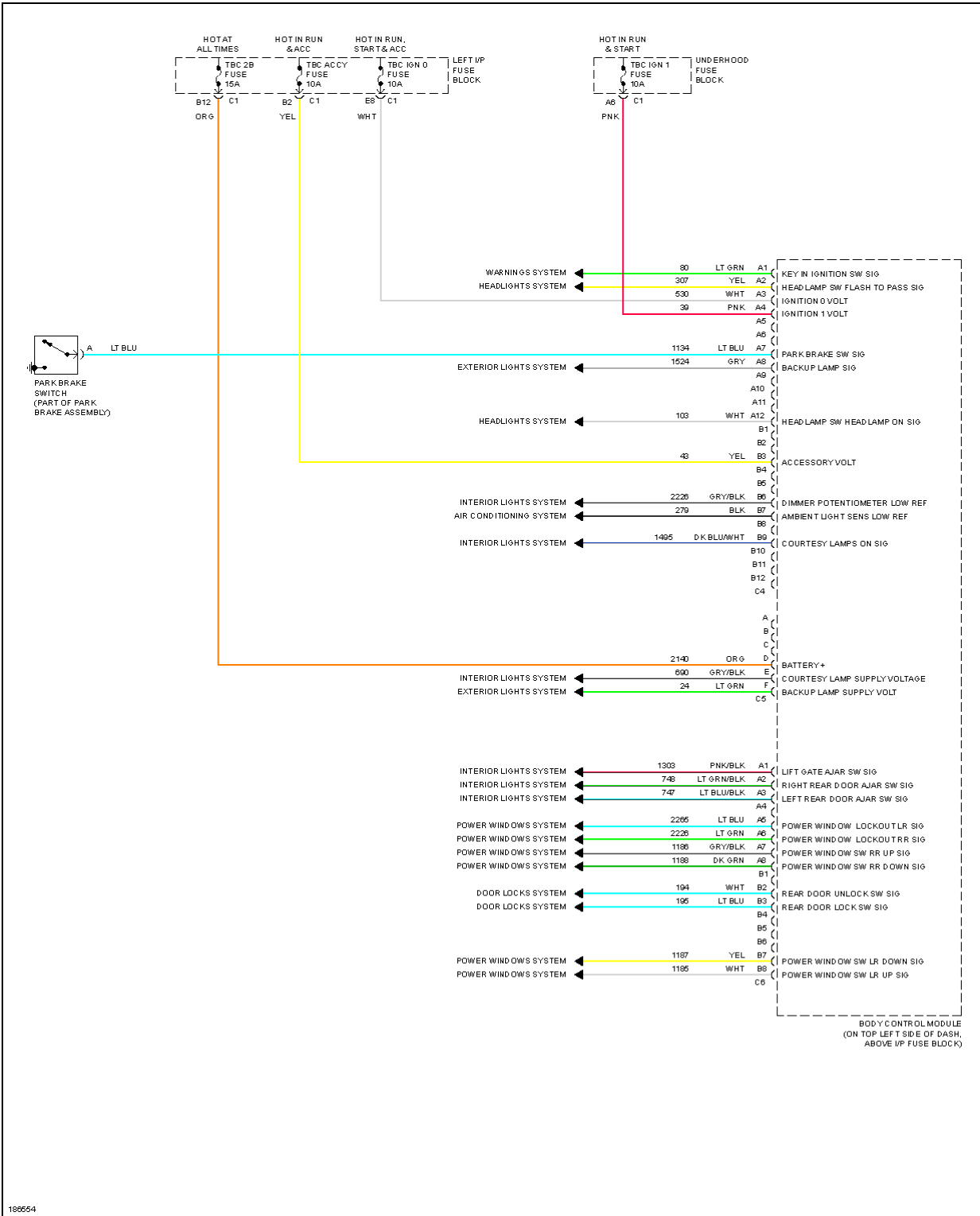


Fig. 8: Body Control Modules Circuit (2 of 2)

COMPUTER DATA LINES

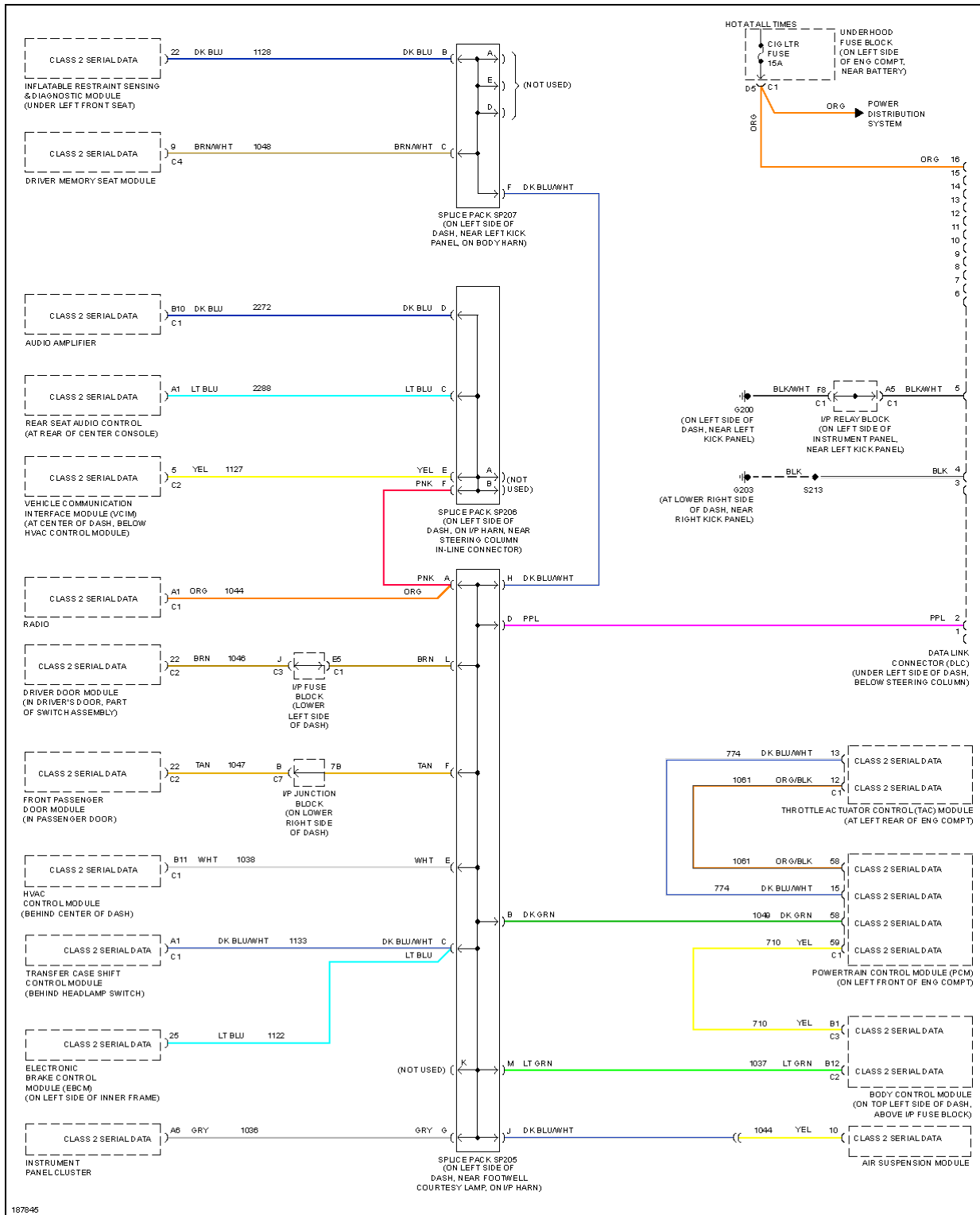


Fig. 9: Computer Data Lines Circuit

CRUISE CONTROL

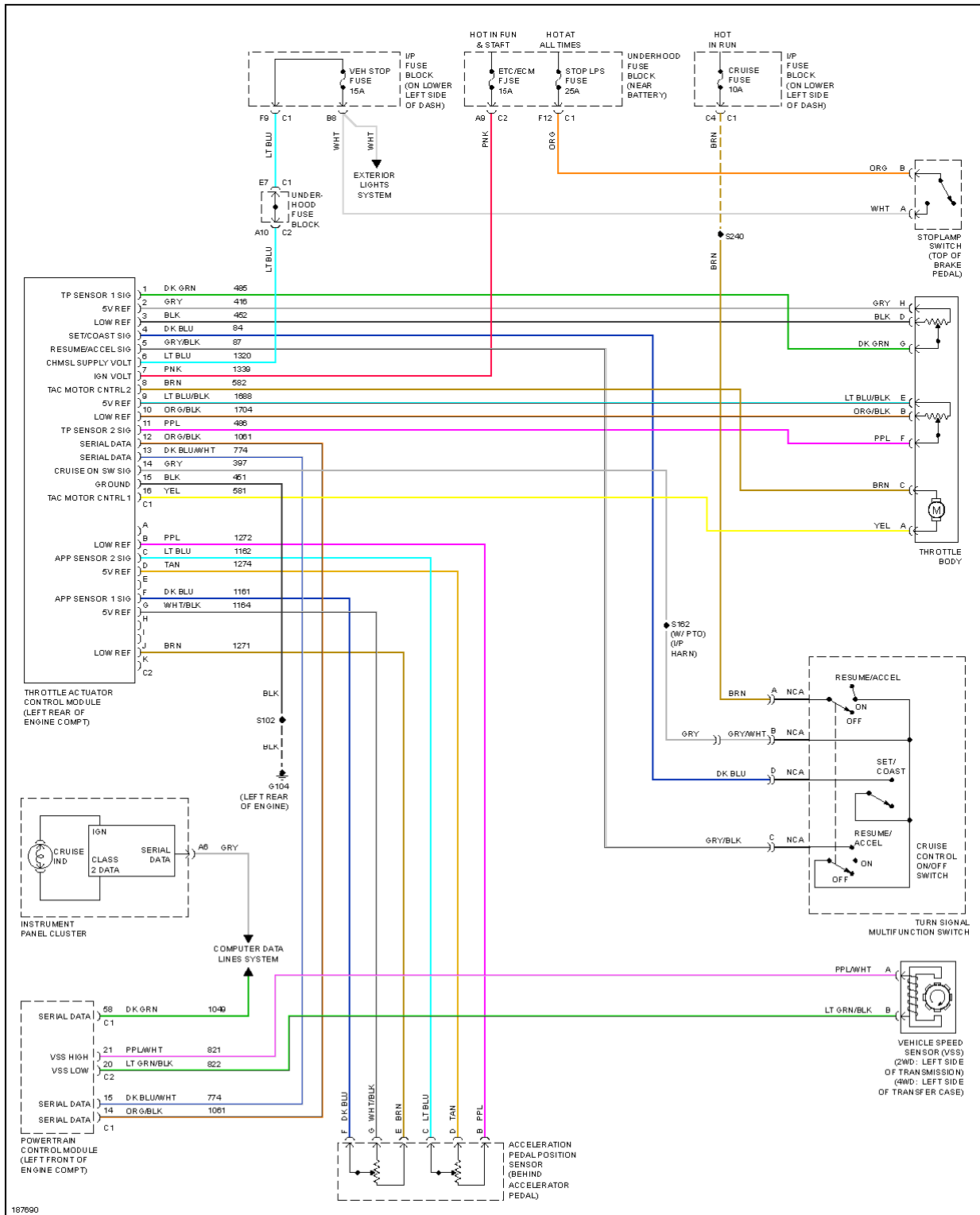


Fig. 10: Cruise Control Circuit

DEFOGGERS

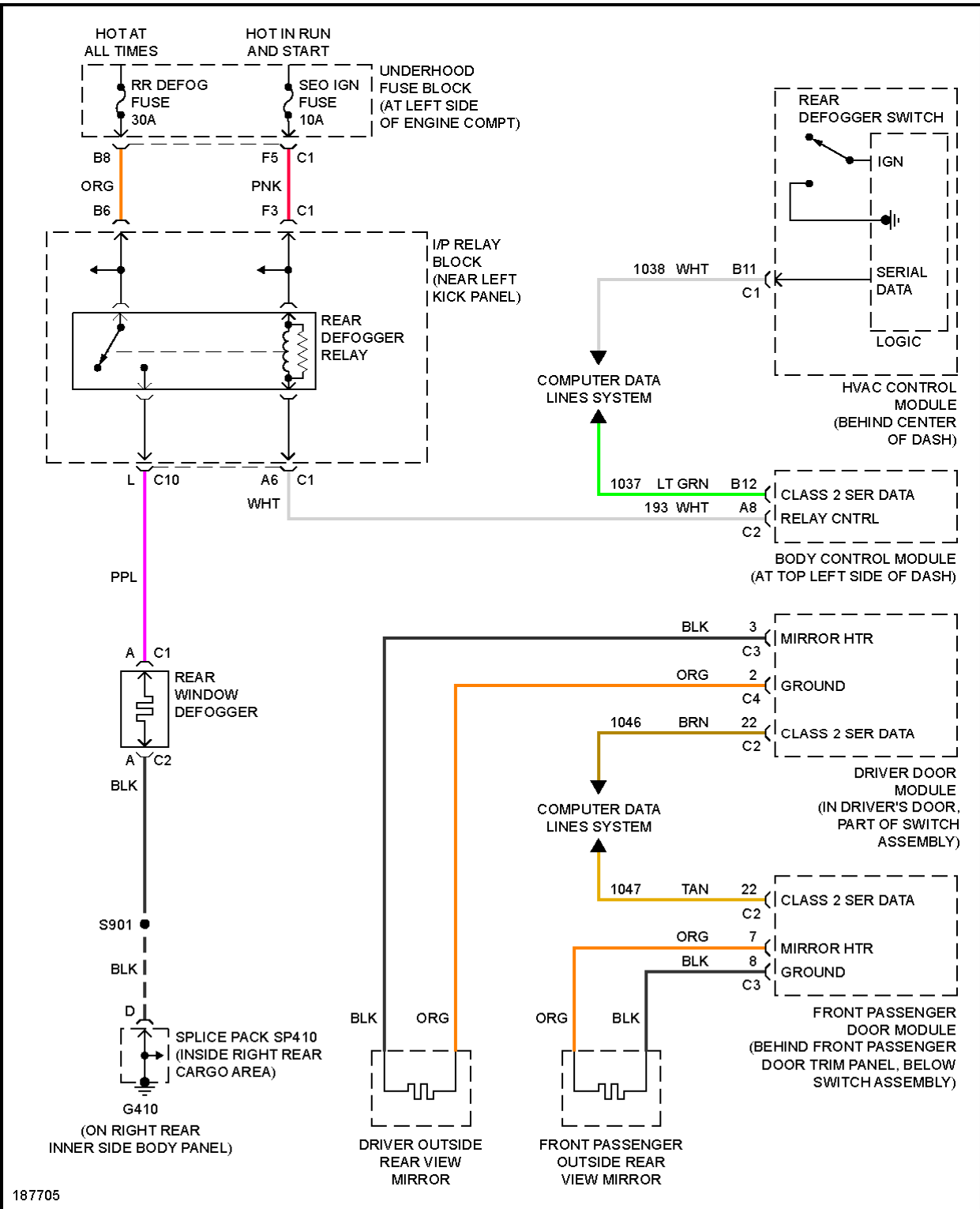


Fig. 11: Defoggers Circuit

ELECTRONIC SUSPENSION

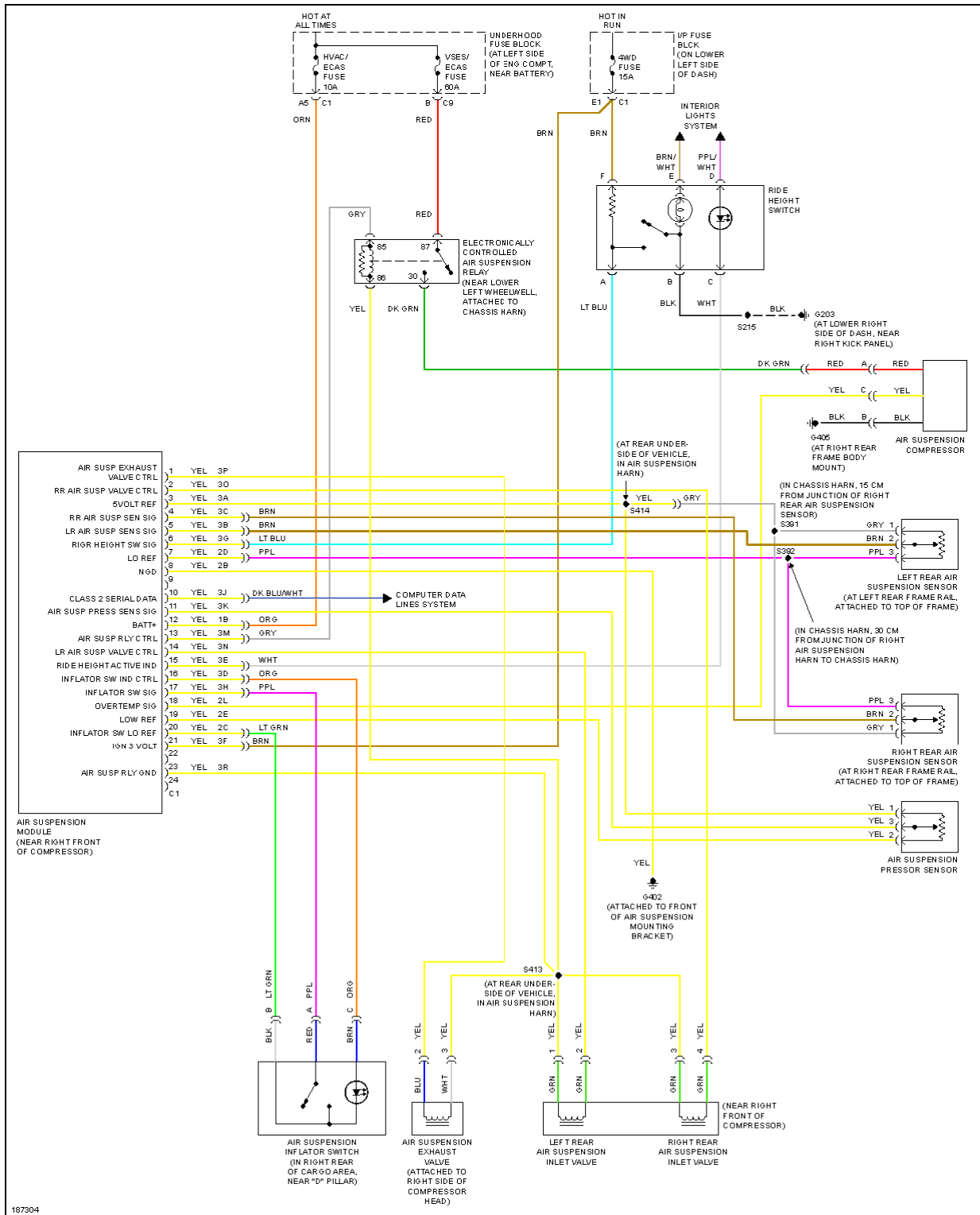


Fig. 12: Electronic Suspension Circuit

ENGINE PERFORMANCE

6.0L VIN U

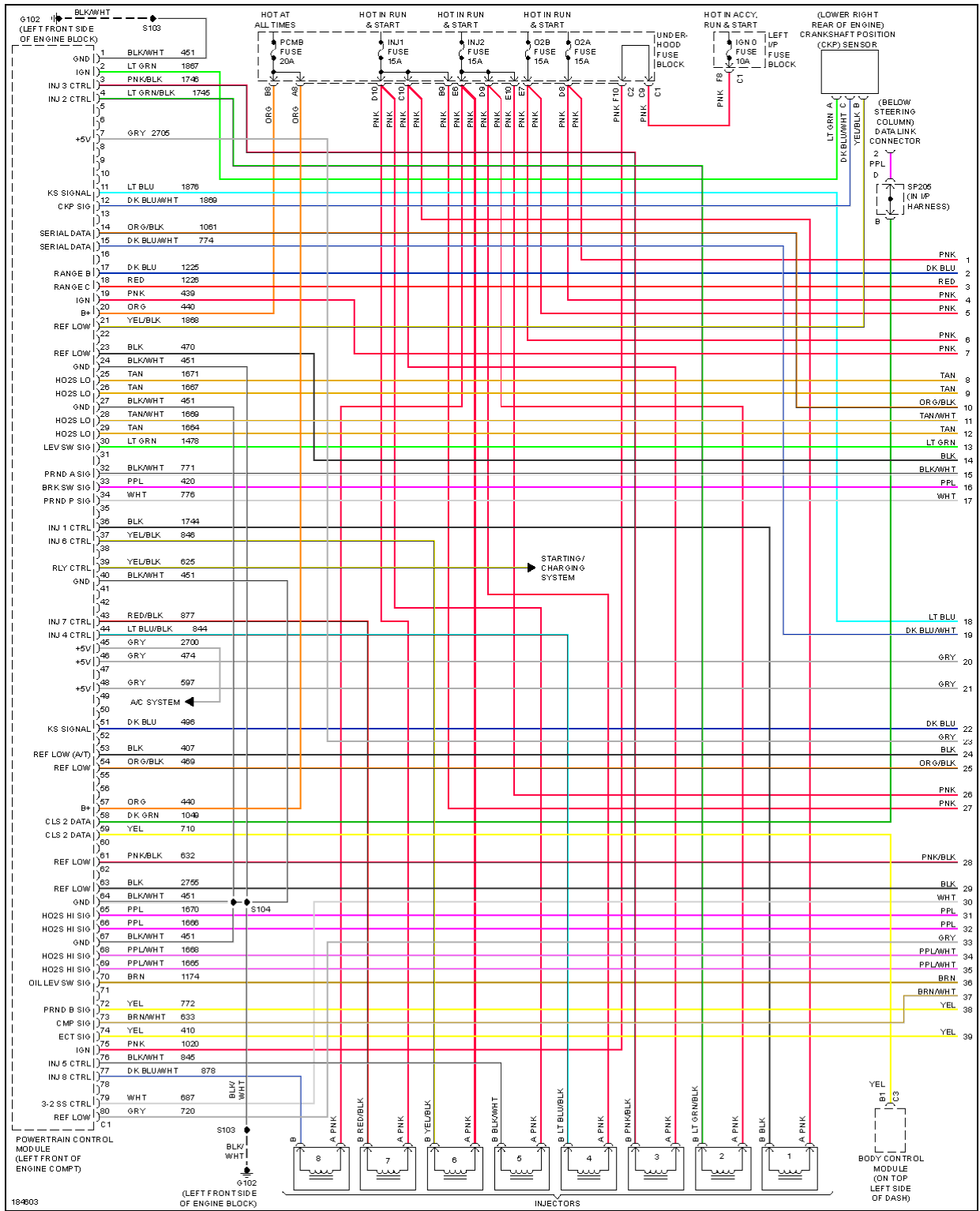


Fig. 13: 6.0L VIN U, Engine Performance Circuit (1 of 5)

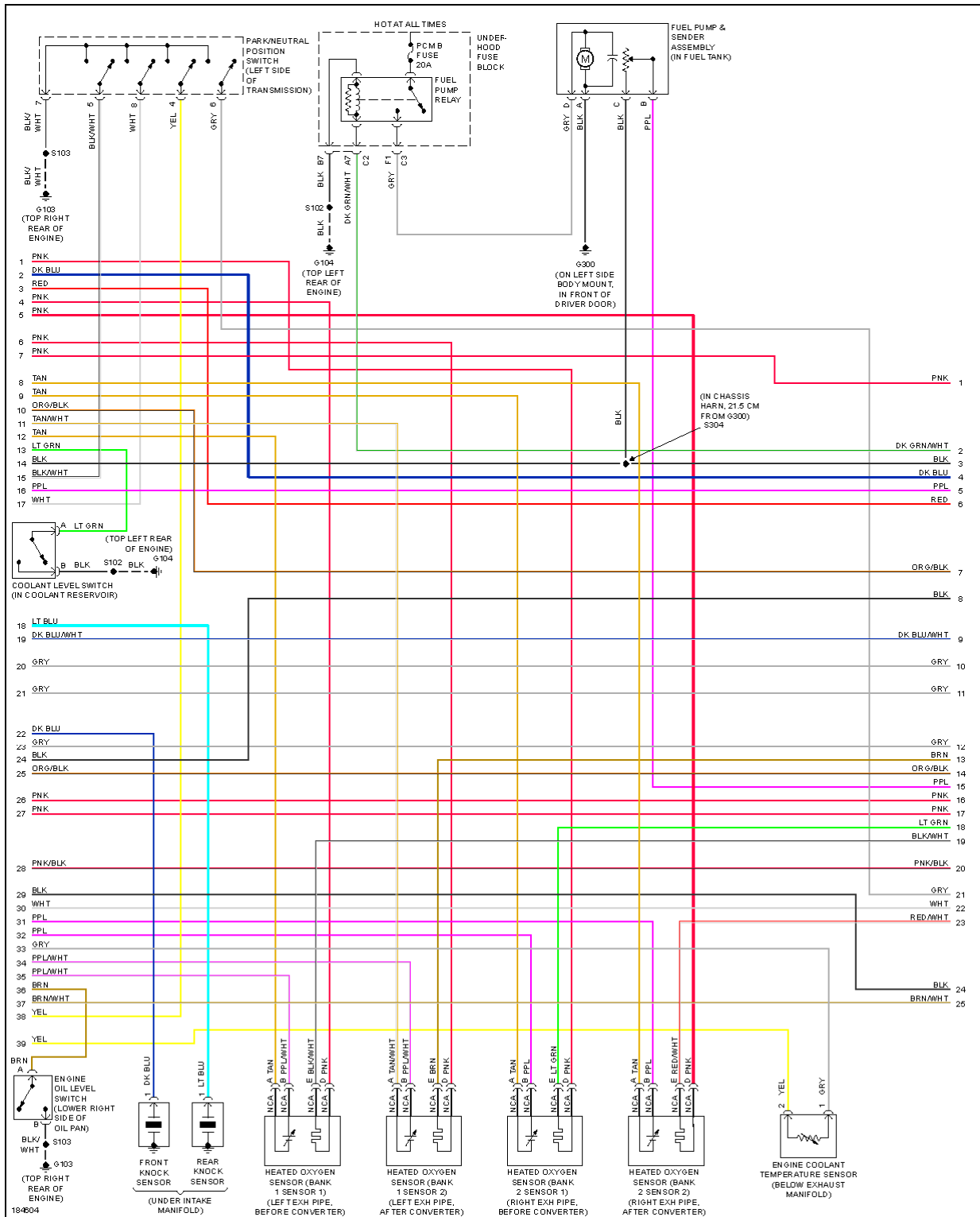


Fig. 14: 6.0L VIN U, Engine Performance Circuit (2 of 5)

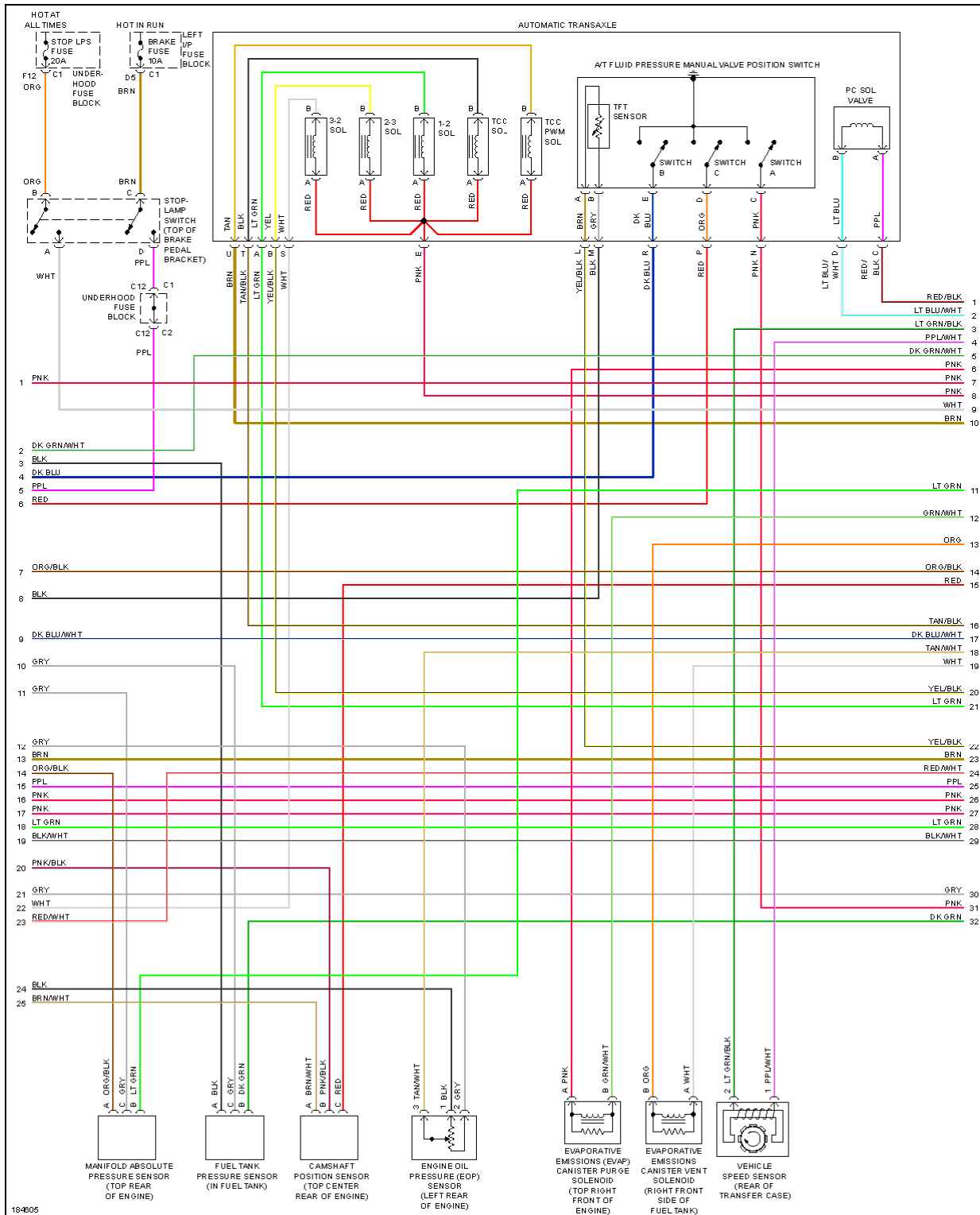


Fig. 15: 6.0L VIN U, Engine Performance Circuit (3 of 5)

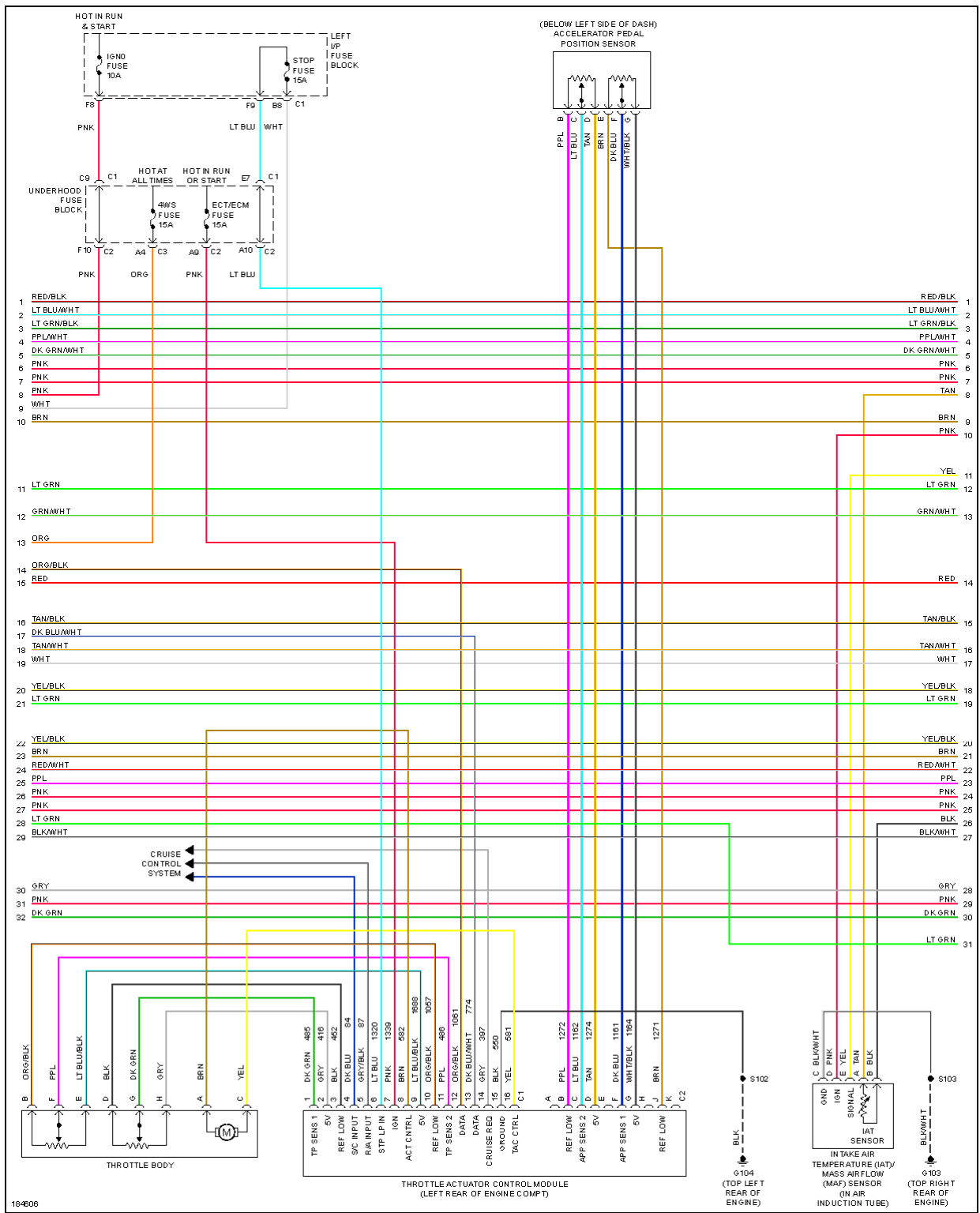


Fig. 16: 6.0L VIN U, Engine Performance Circuit (4 of 5)

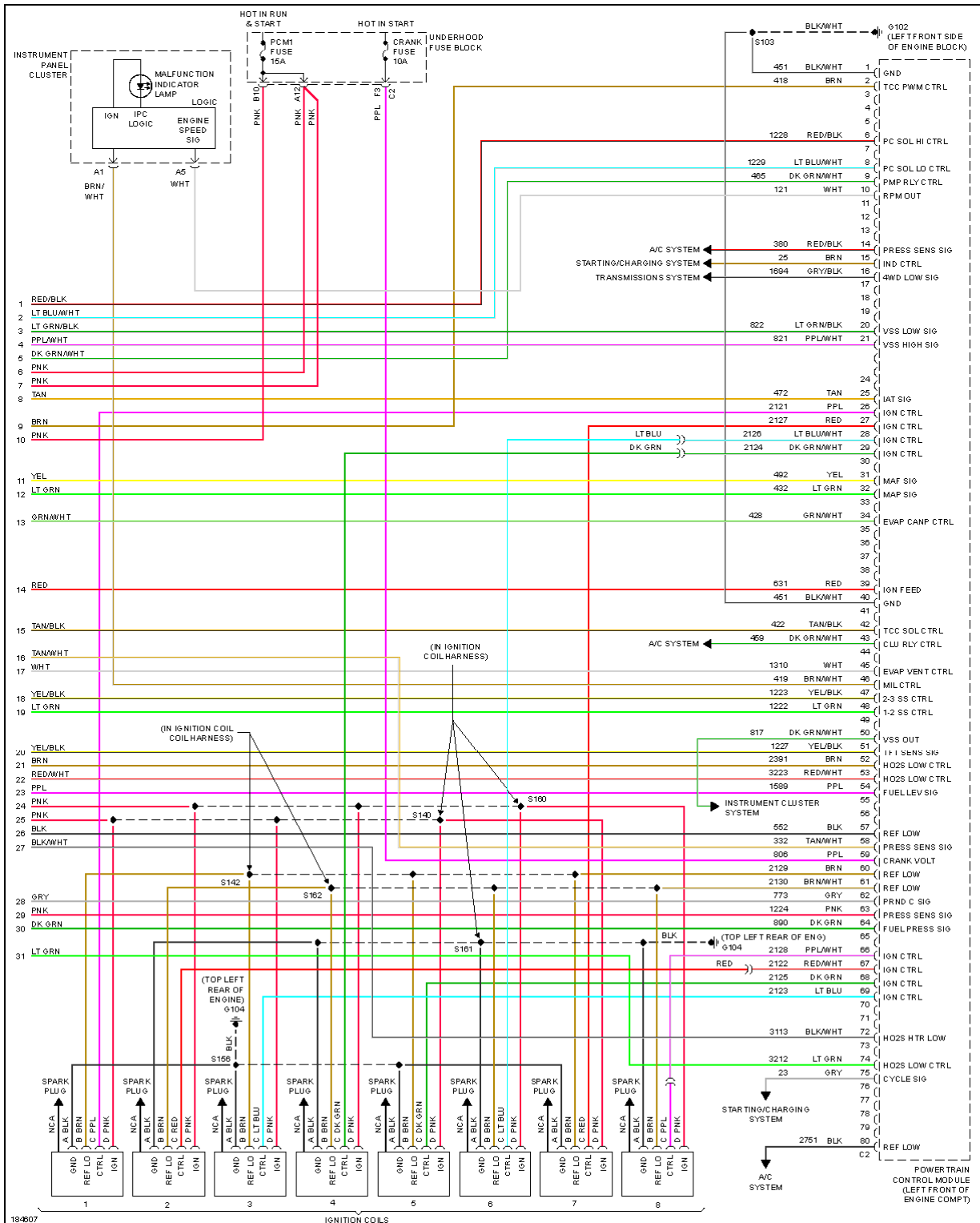


Fig. 17: 6.0L VIN U, Engine Performance Circuit (5 of 5)

EXTERIOR LIGHTS

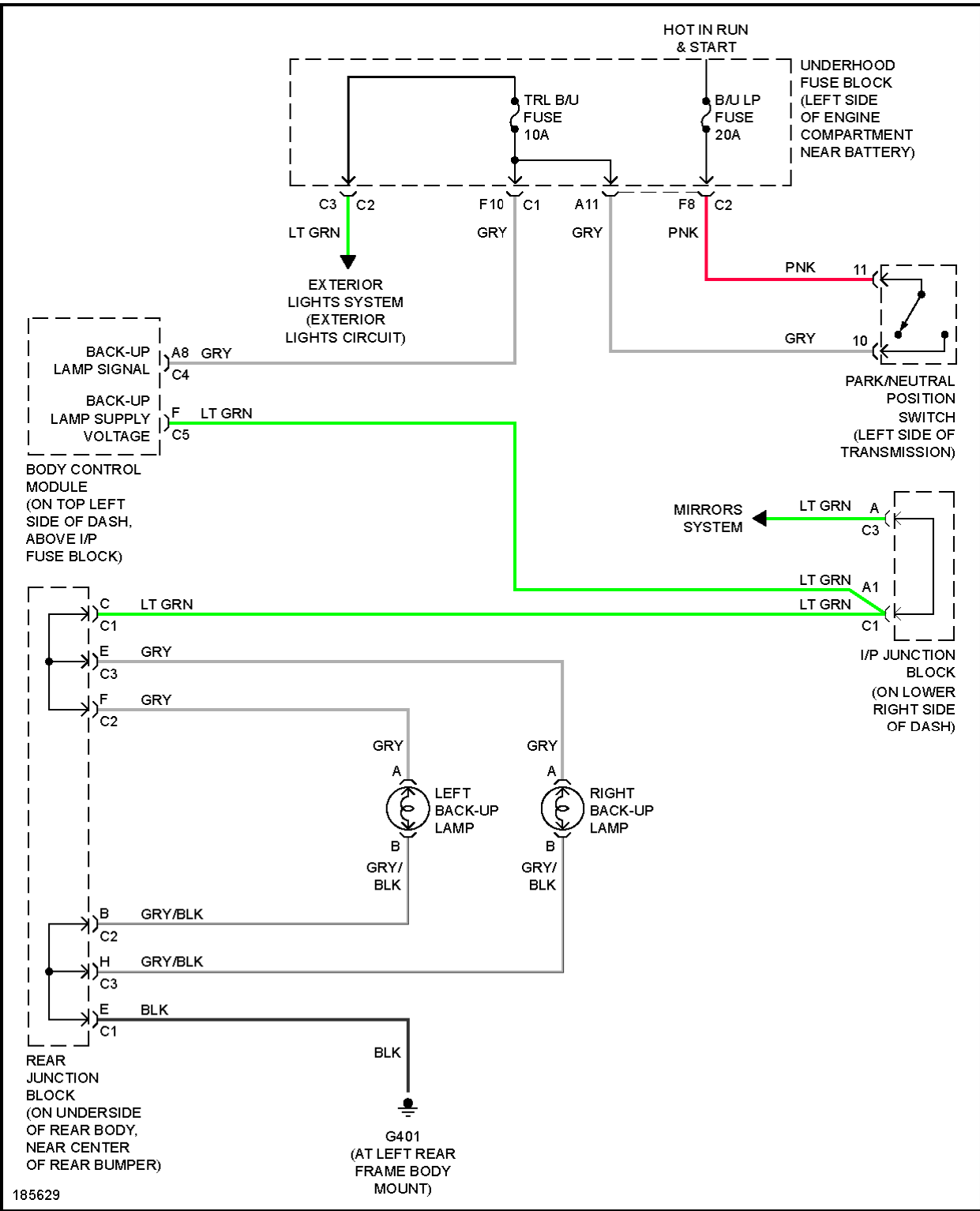


Fig. 18: Back-up Lamps Circuit

Fig. 19: Exterior Lamps Circuit (1 of 2)

Fig. 20: Exterior Lamps Circuit (2 of 2)

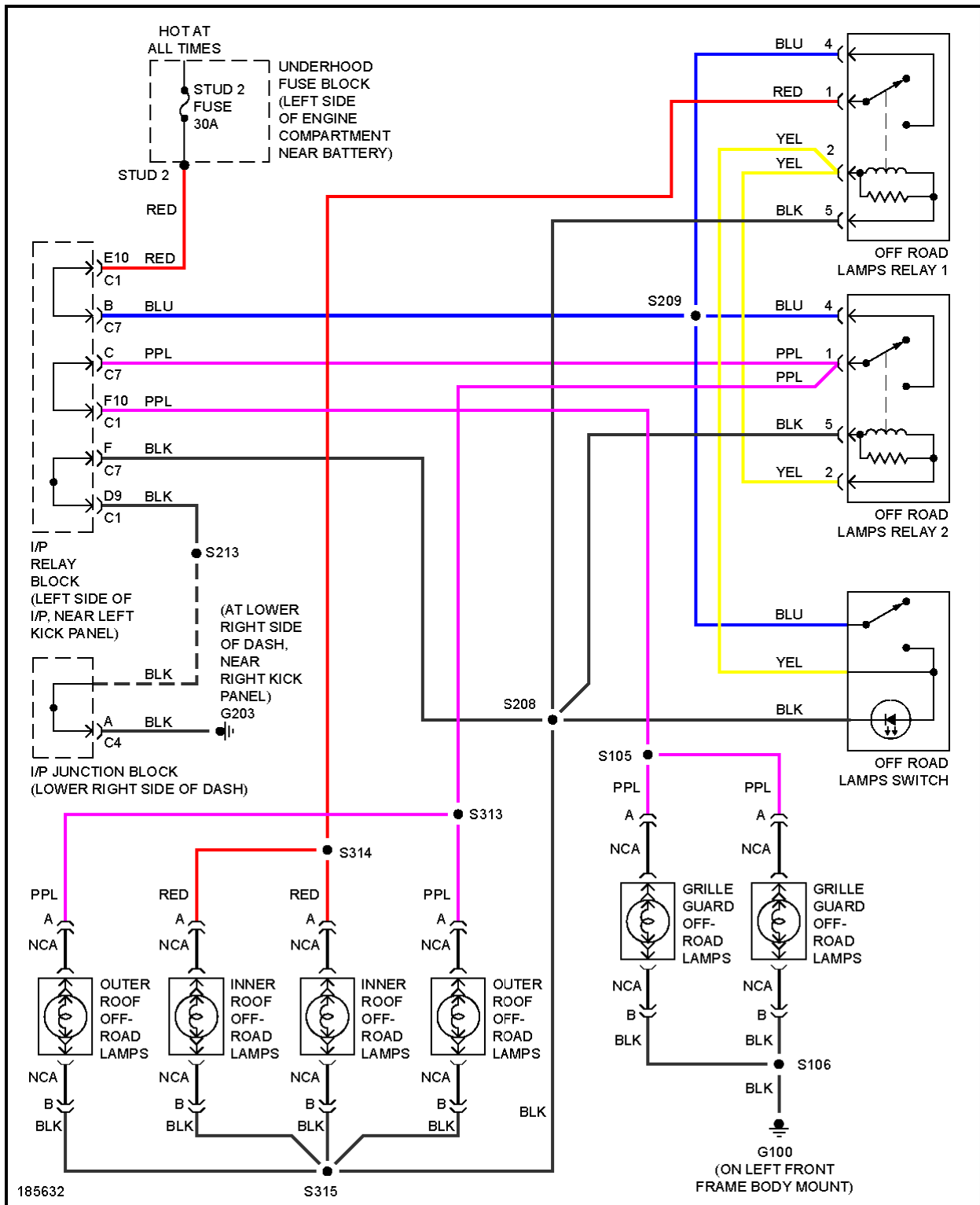


Fig. 21: Off-Road Lighting Circuit

GROUND DISTRIBUTION

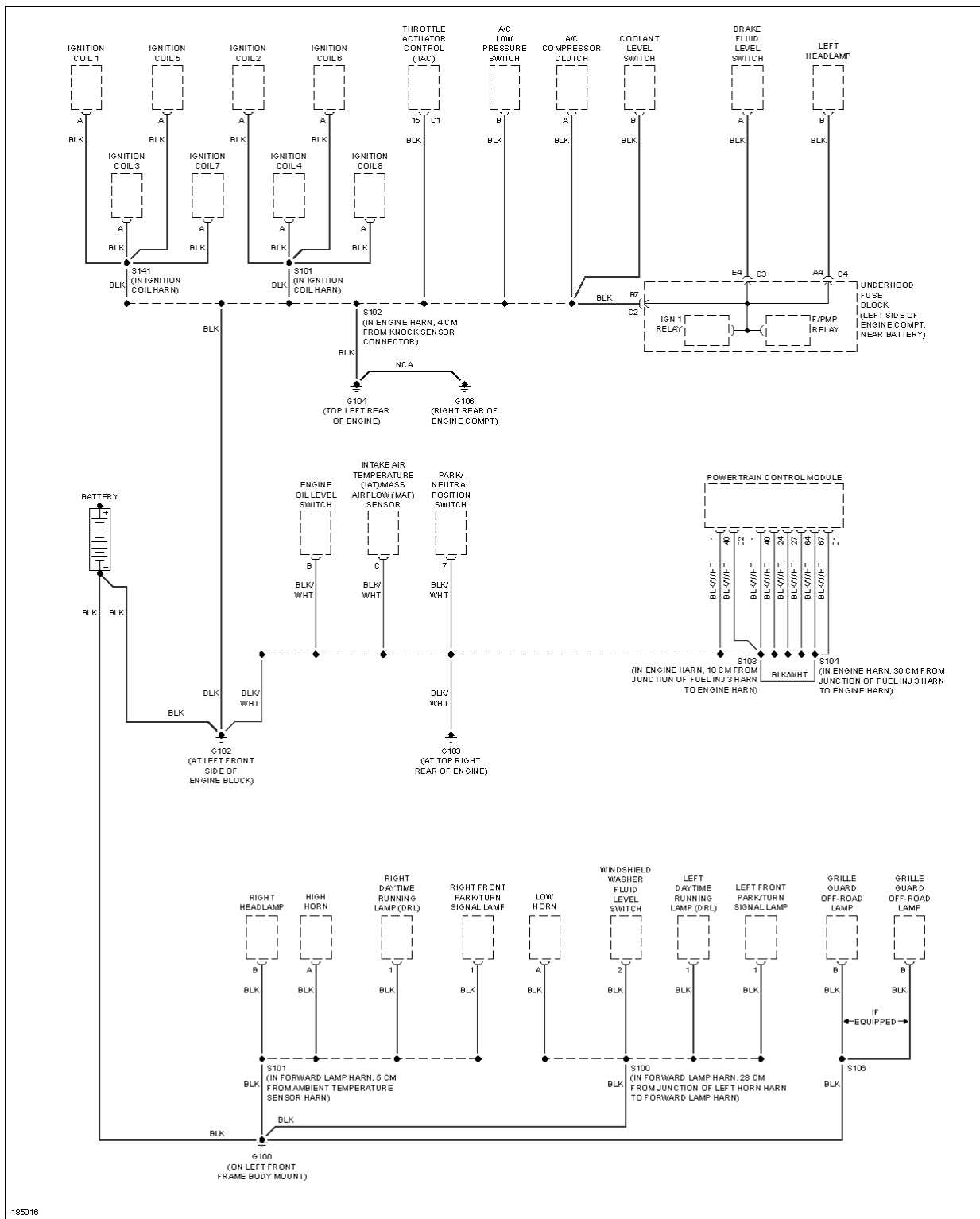


Fig. 22: Ground Distribution Circuit (1 of 5)

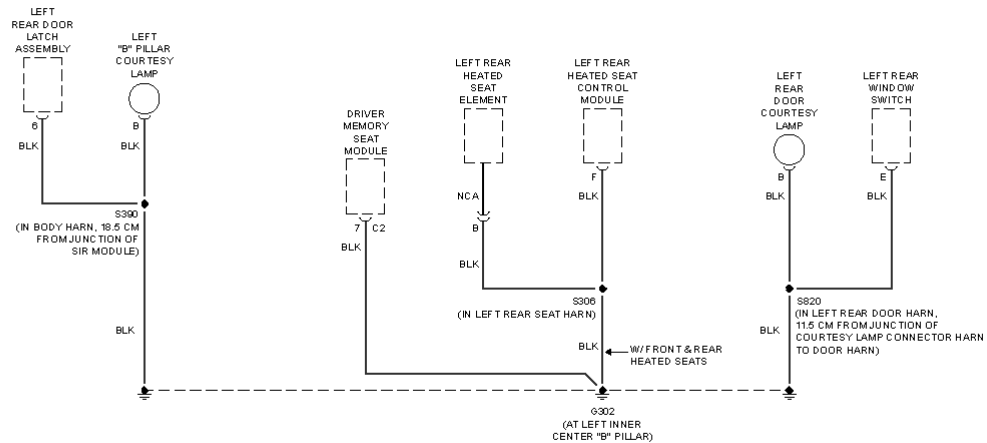
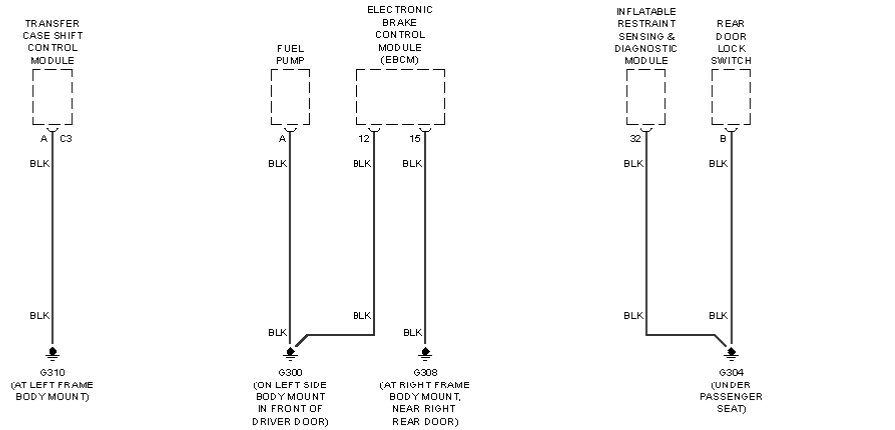
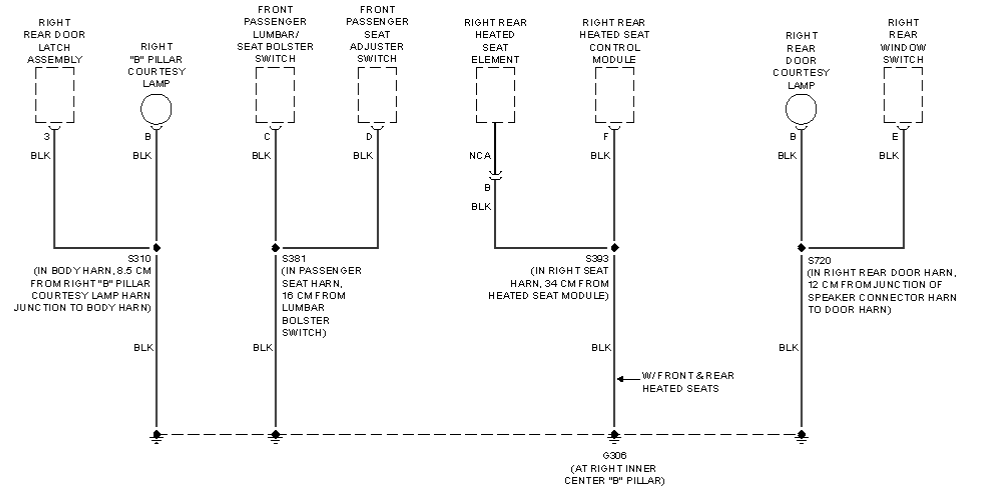


Fig. 23: Ground Distribution Circuit (2 of 5)

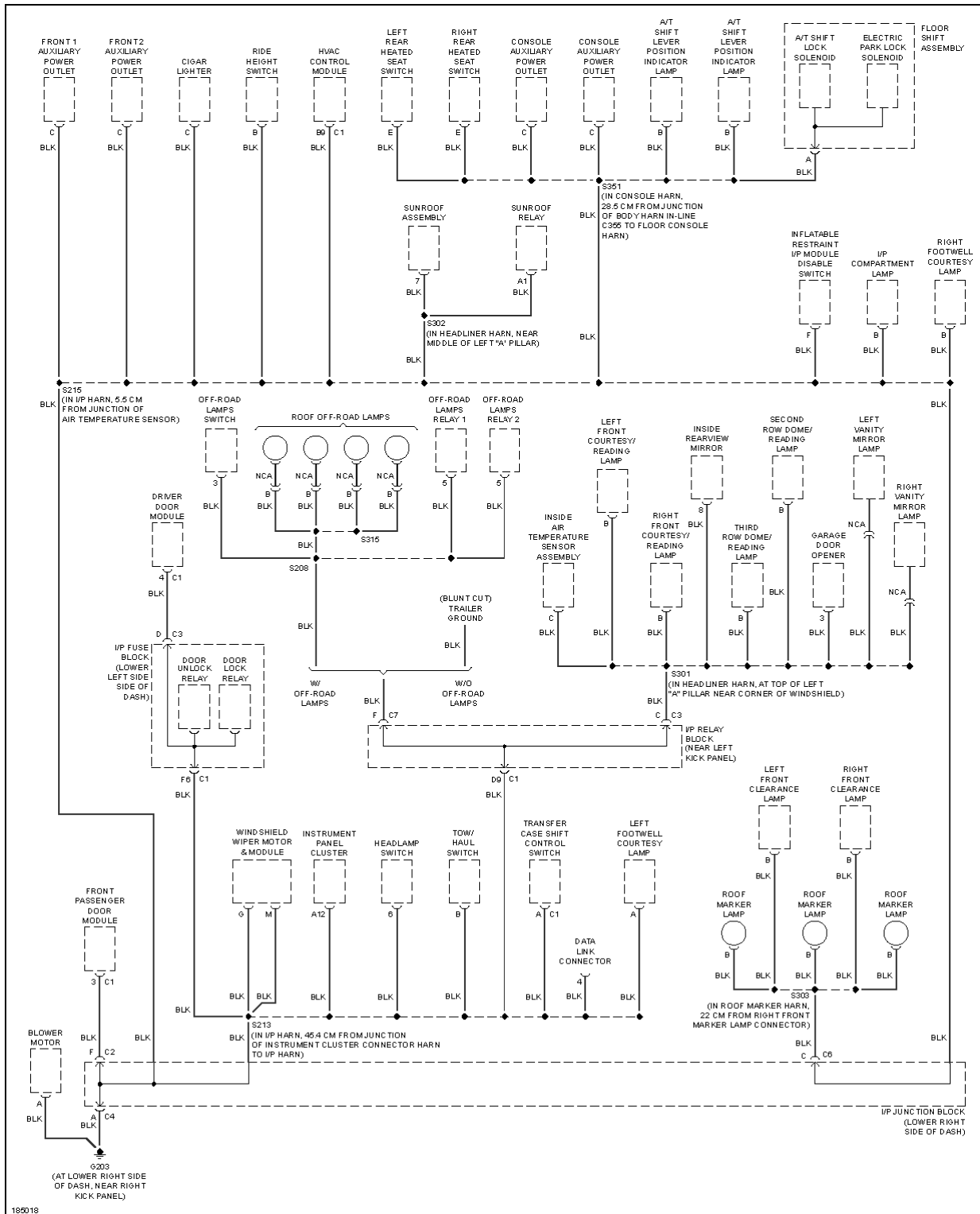


Fig. 24: Ground Distribution Circuit (3 of 5)

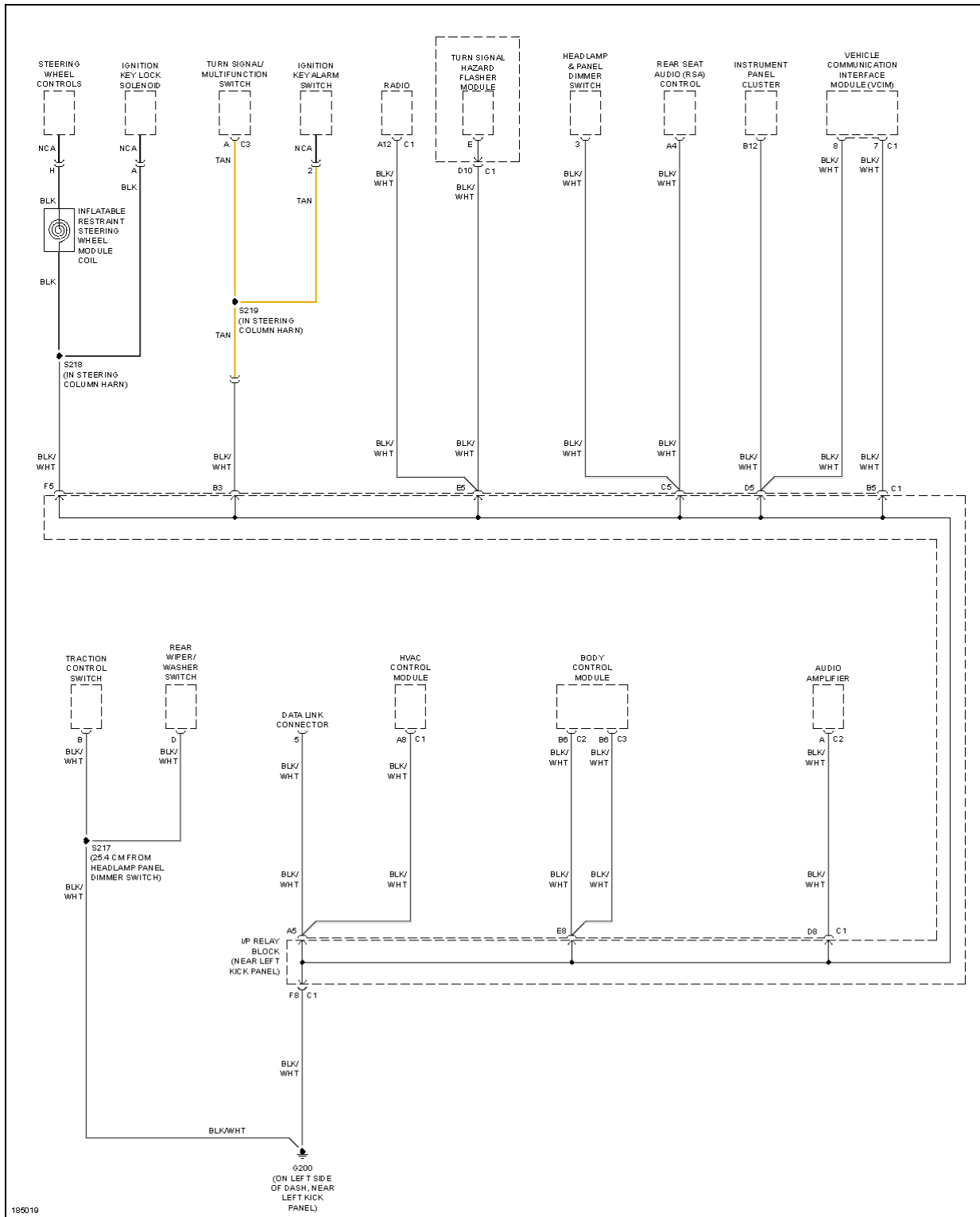


Fig. 25: Ground Distribution Circuit (4 of 5)

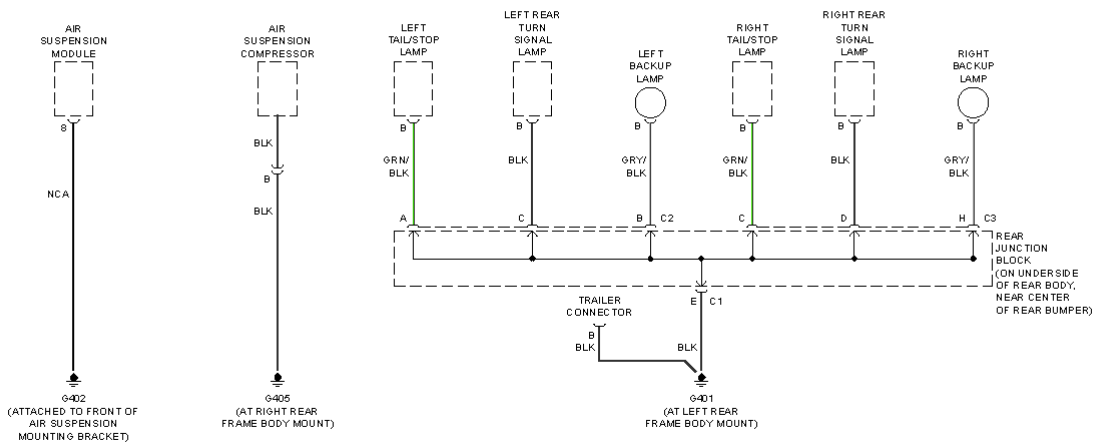
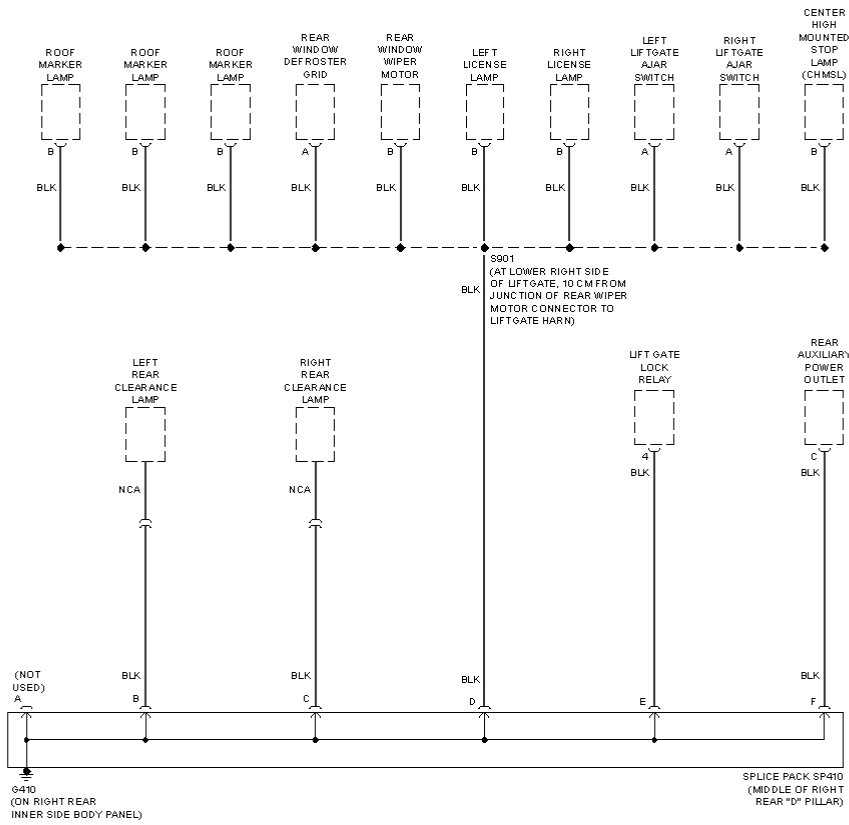


Fig. 26: Ground Distribution Circuit (5 of 5)

HEADLIGHTS

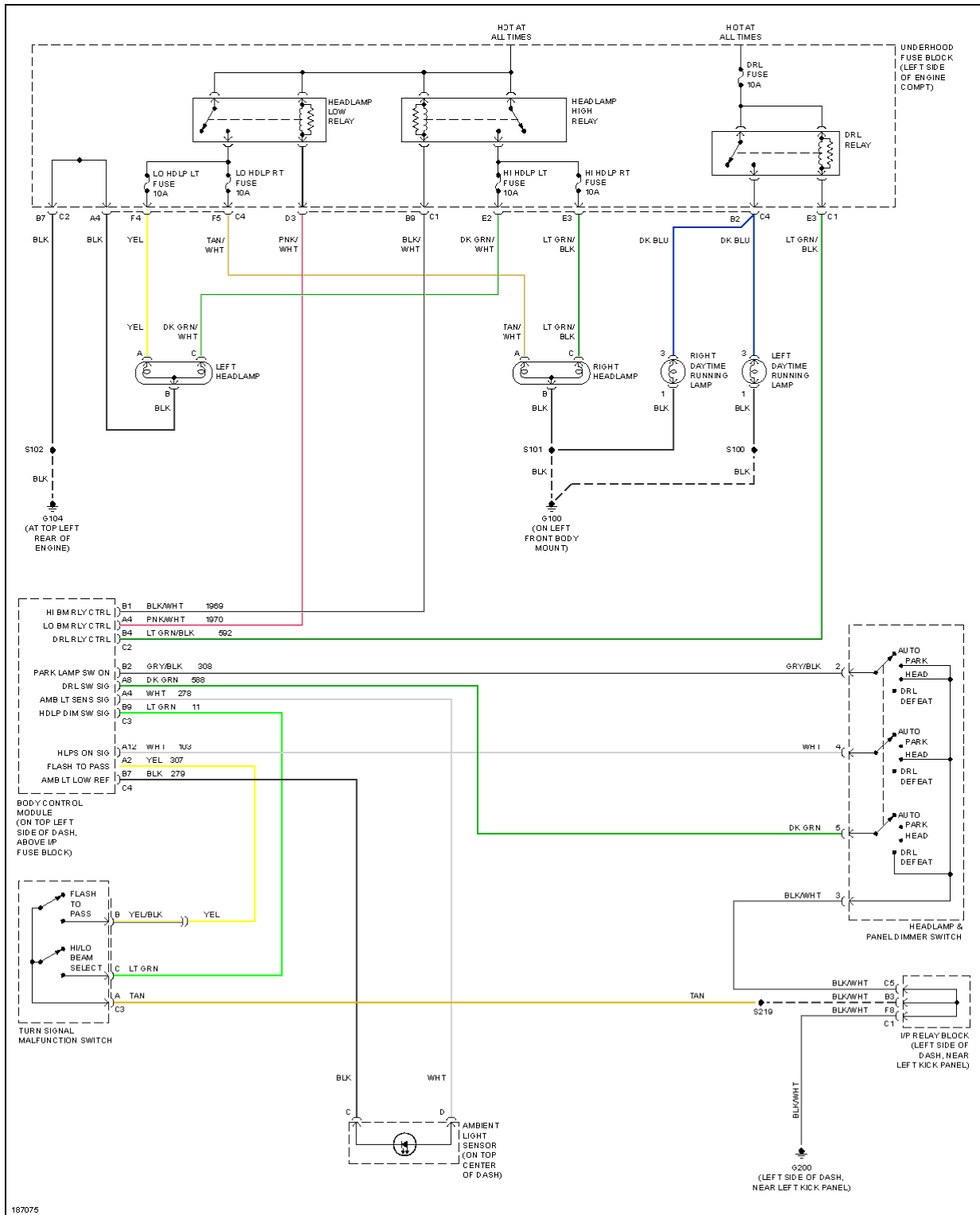


Fig. 27: Headlights Circuit

HORN

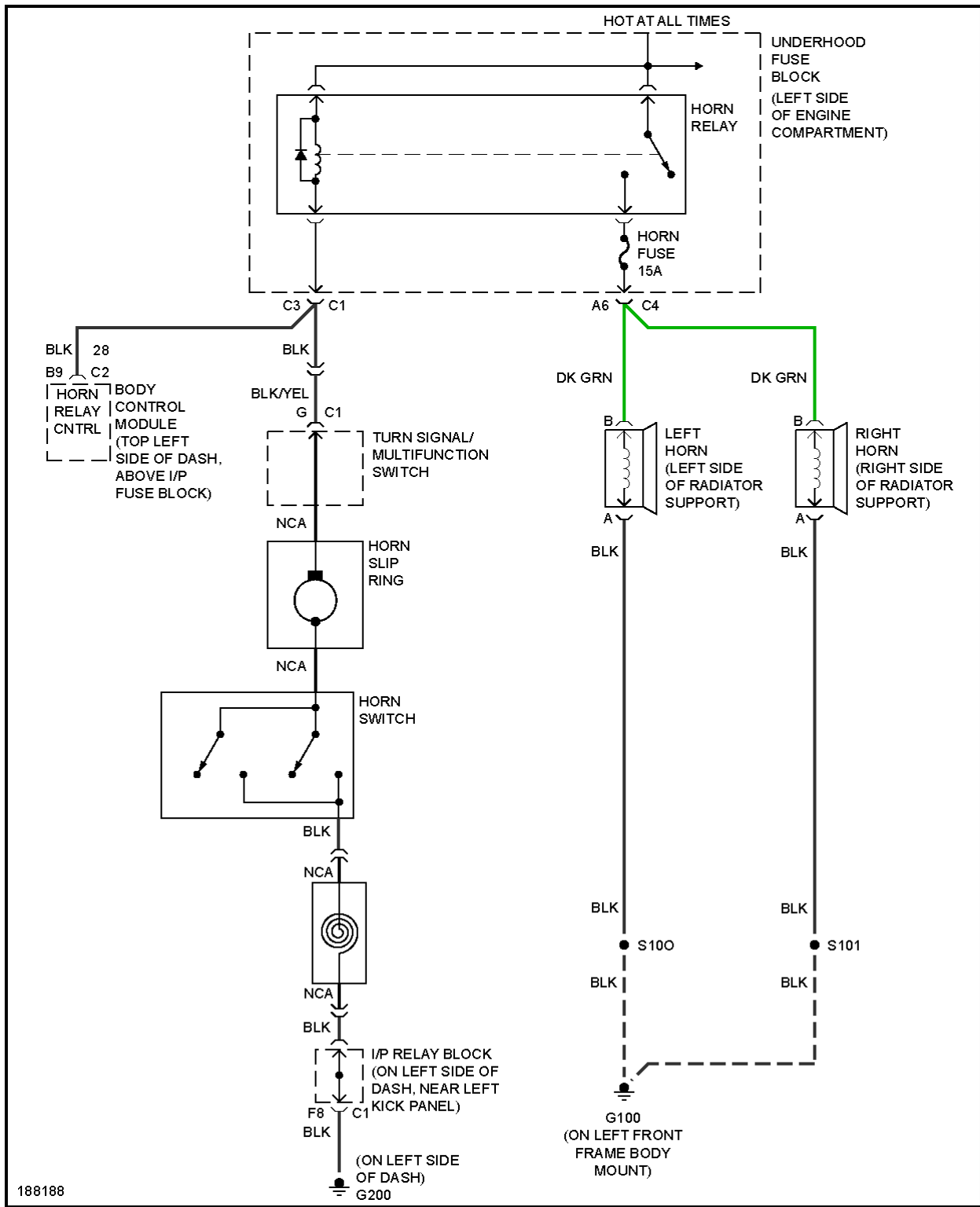


Fig. 28: Horn Circuit

INSTRUMENT CLUSTER

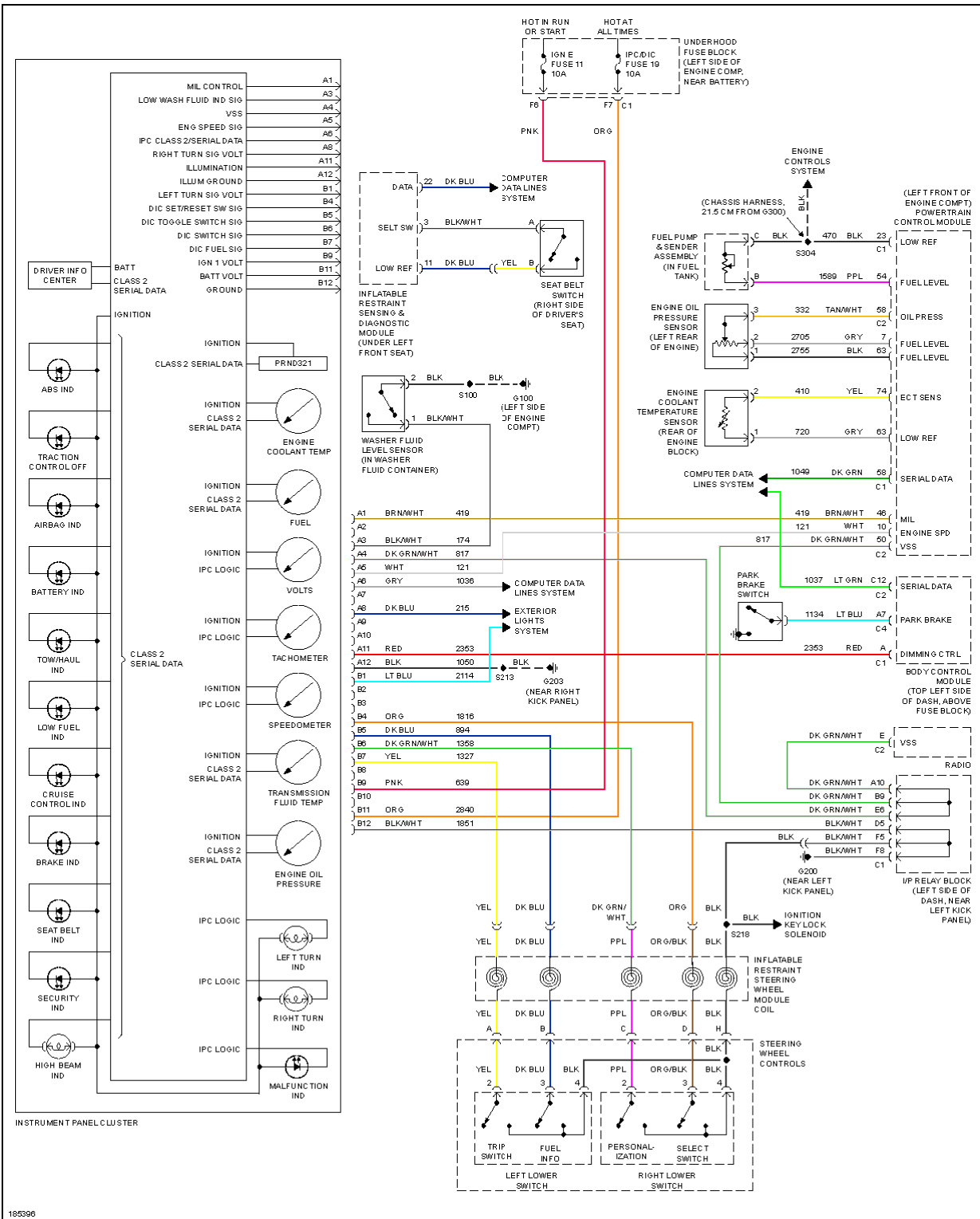


Fig. 29: Instrument Cluster Circuit

INTERIOR LIGHTS

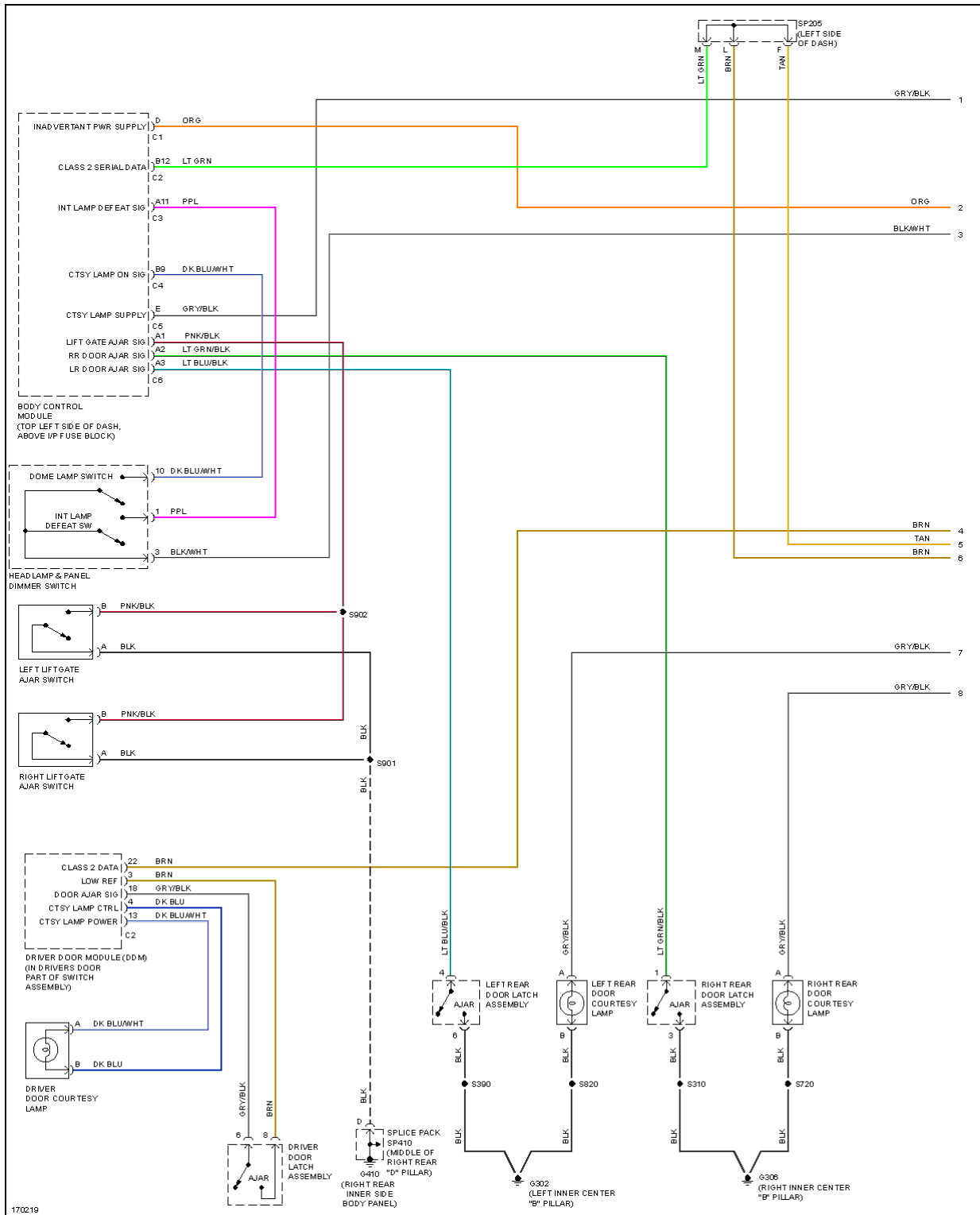


Fig. 30: Courtesy Lamps Circuit (1 of 3)

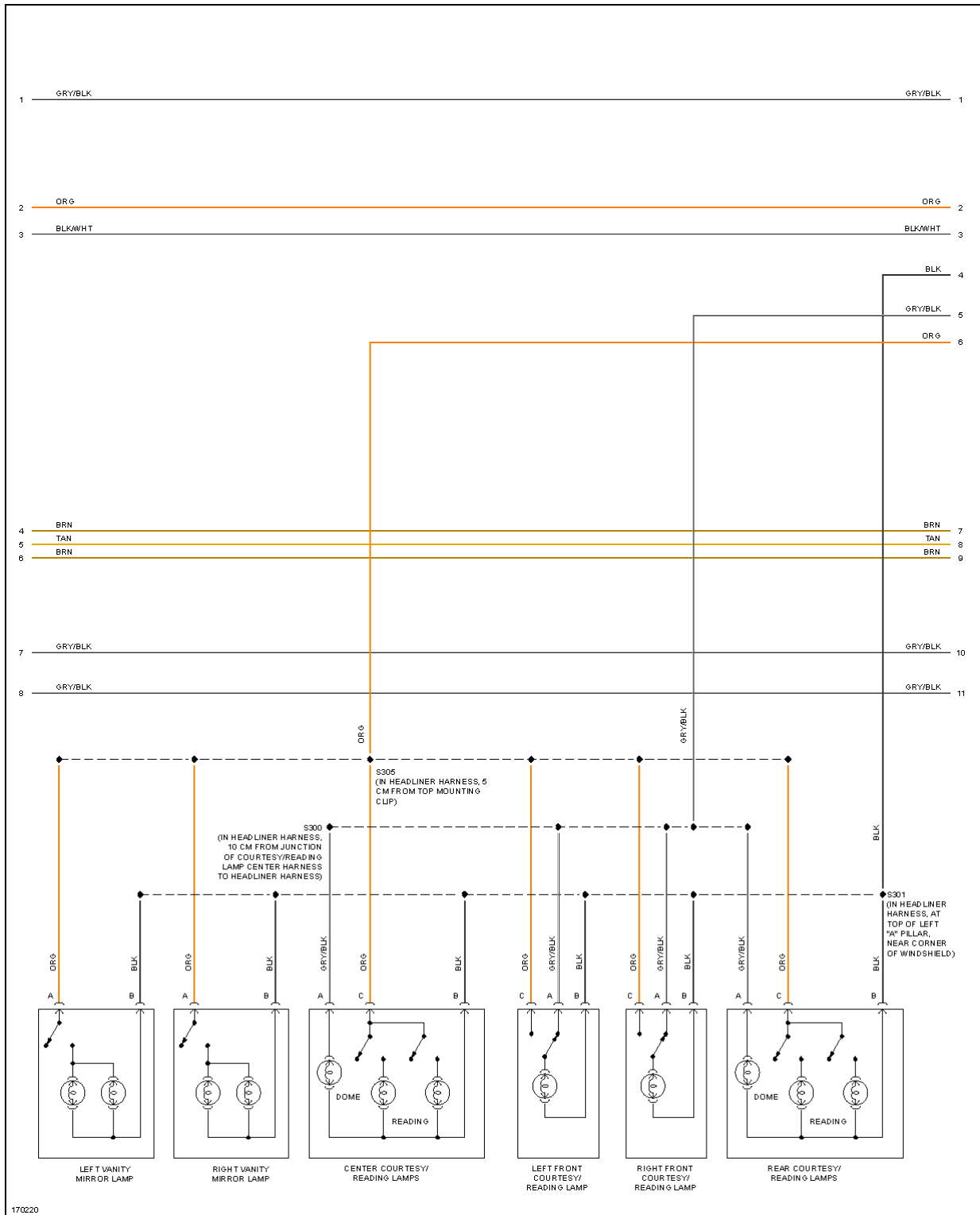


Fig. 31: Courtesy Lamps Circuit (2 of 3)

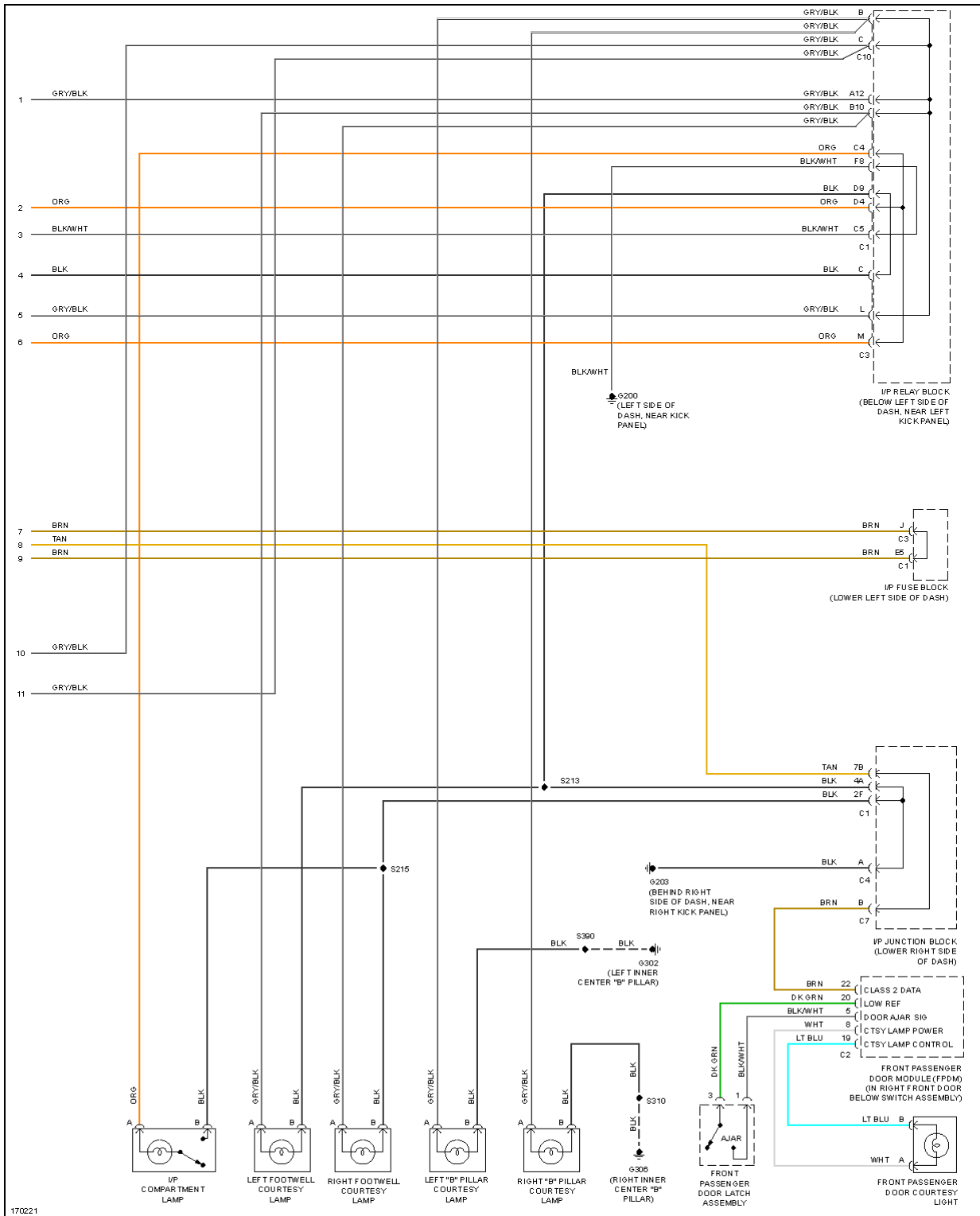


Fig. 32: Courtesy Lamps Circuit (3 of 3)

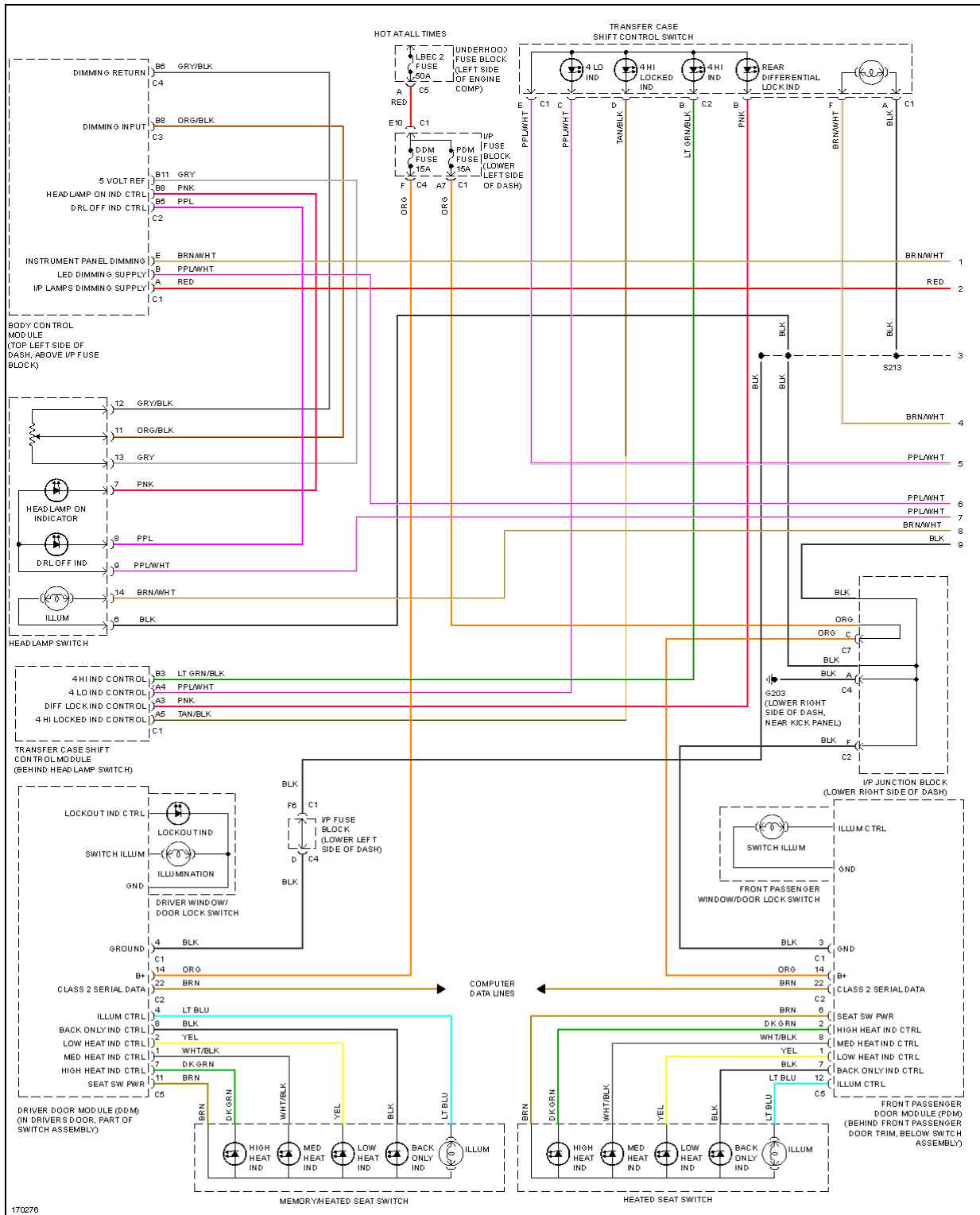


Fig. 33: Instrument Illumination Circuit (1 of 2)

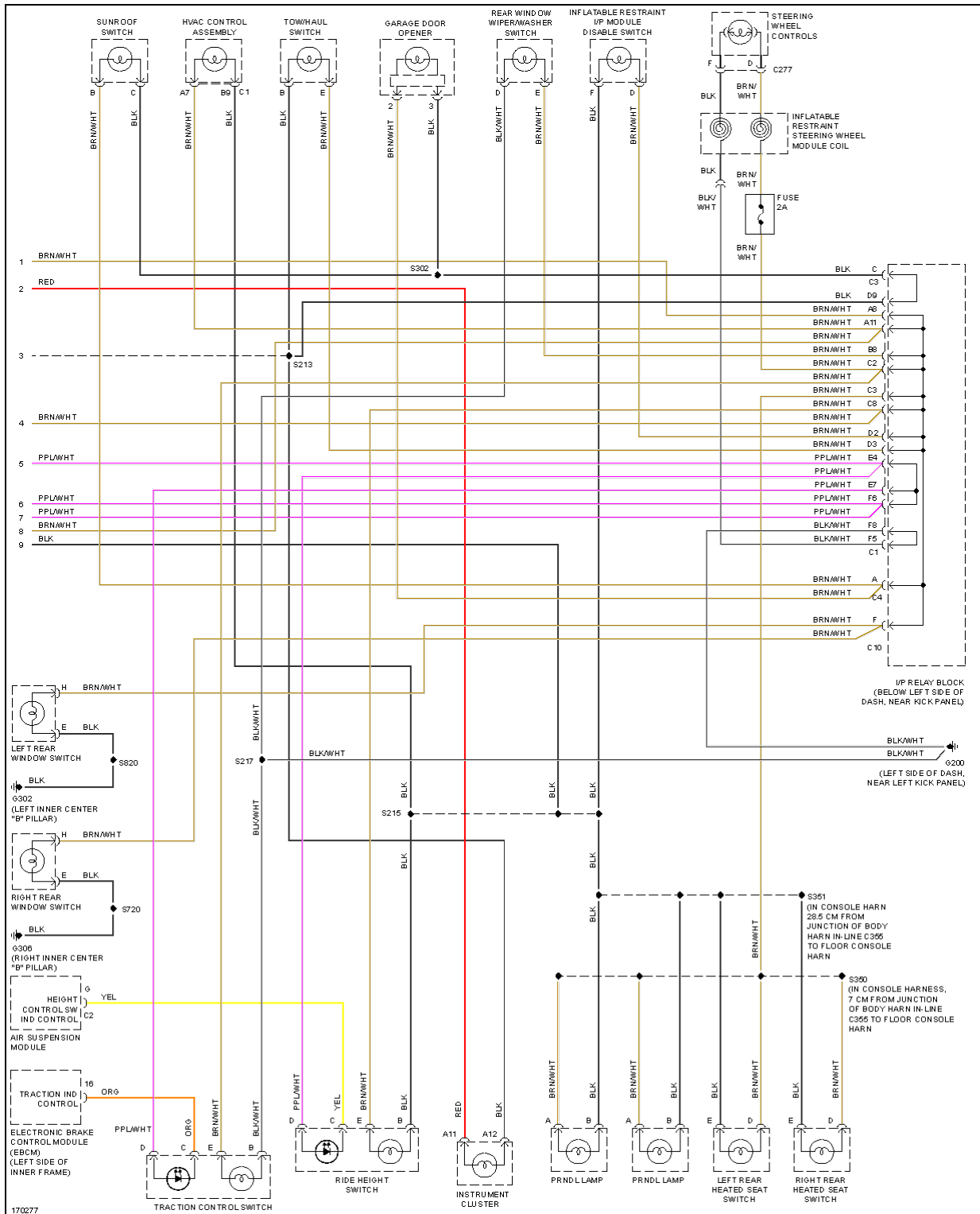


Fig. 34: Instrument Illumination Circuit (2 of 2)

MEMORY SYSTEMS

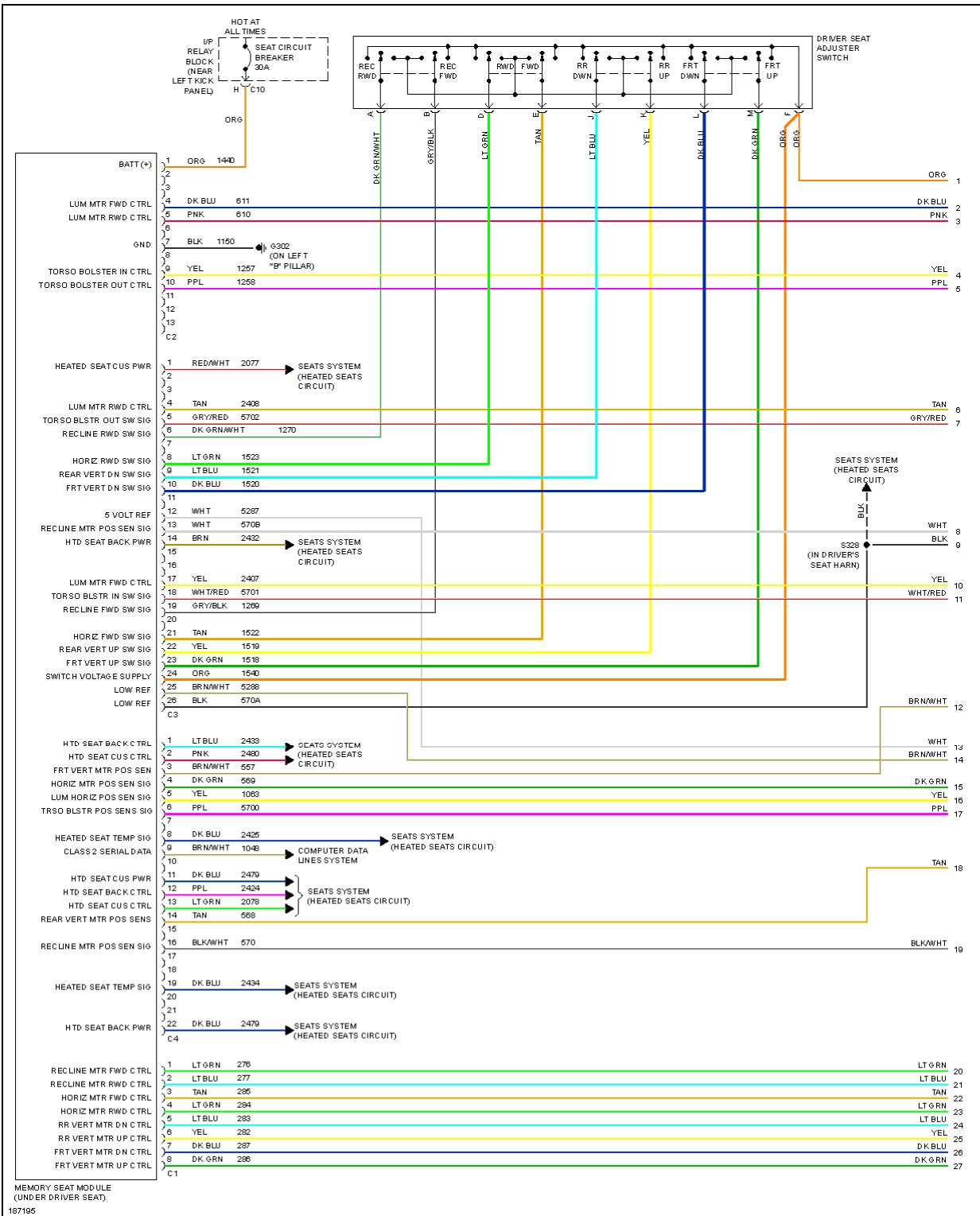


Fig. 35: Driver's Memory Seat Circuit (1 of 2)

Fig. 36: Driver's Memory Seat Circuit (2 of 2)

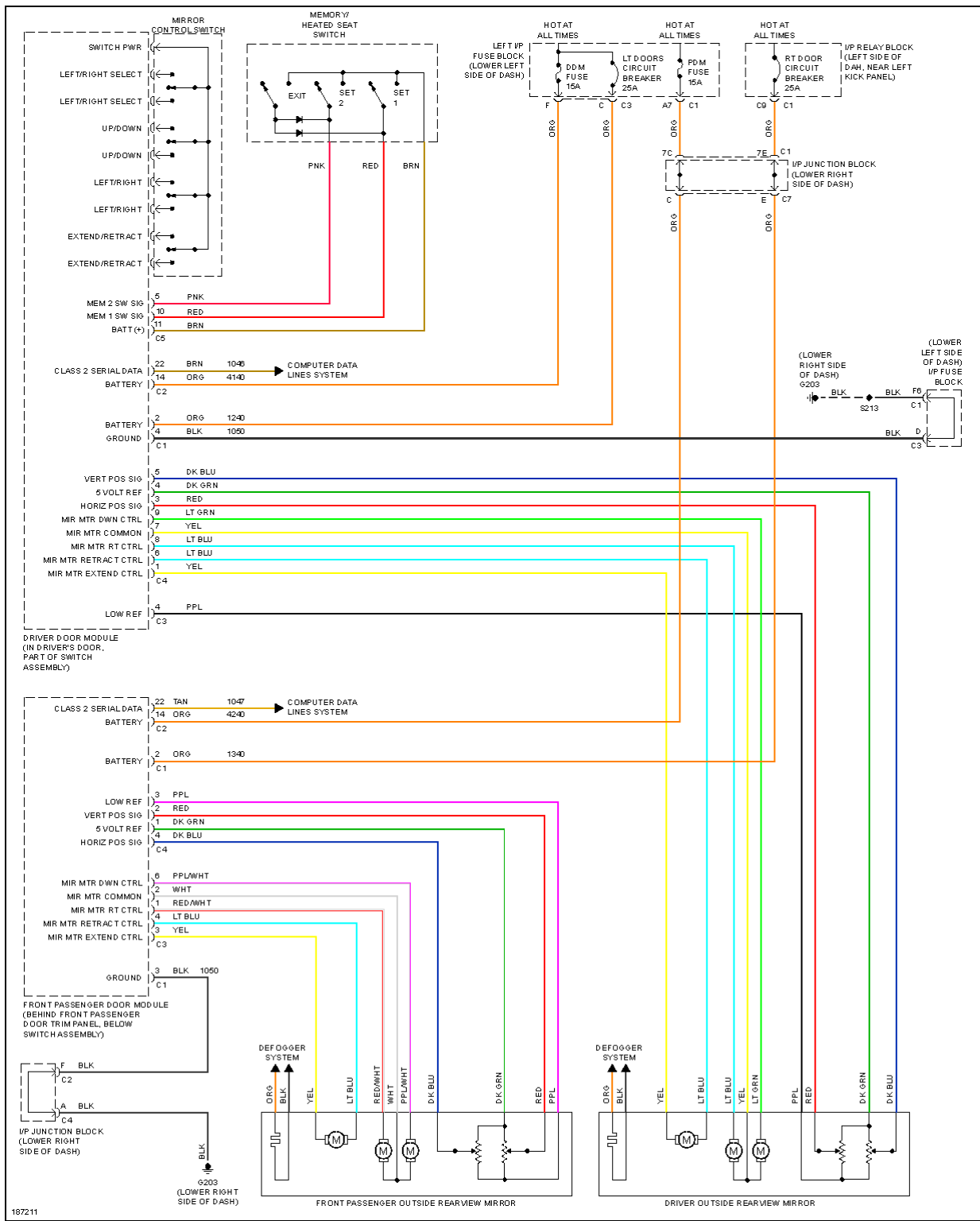


Fig. 37: Memory Mirrors Circuit

POWER DISTRIBUTION

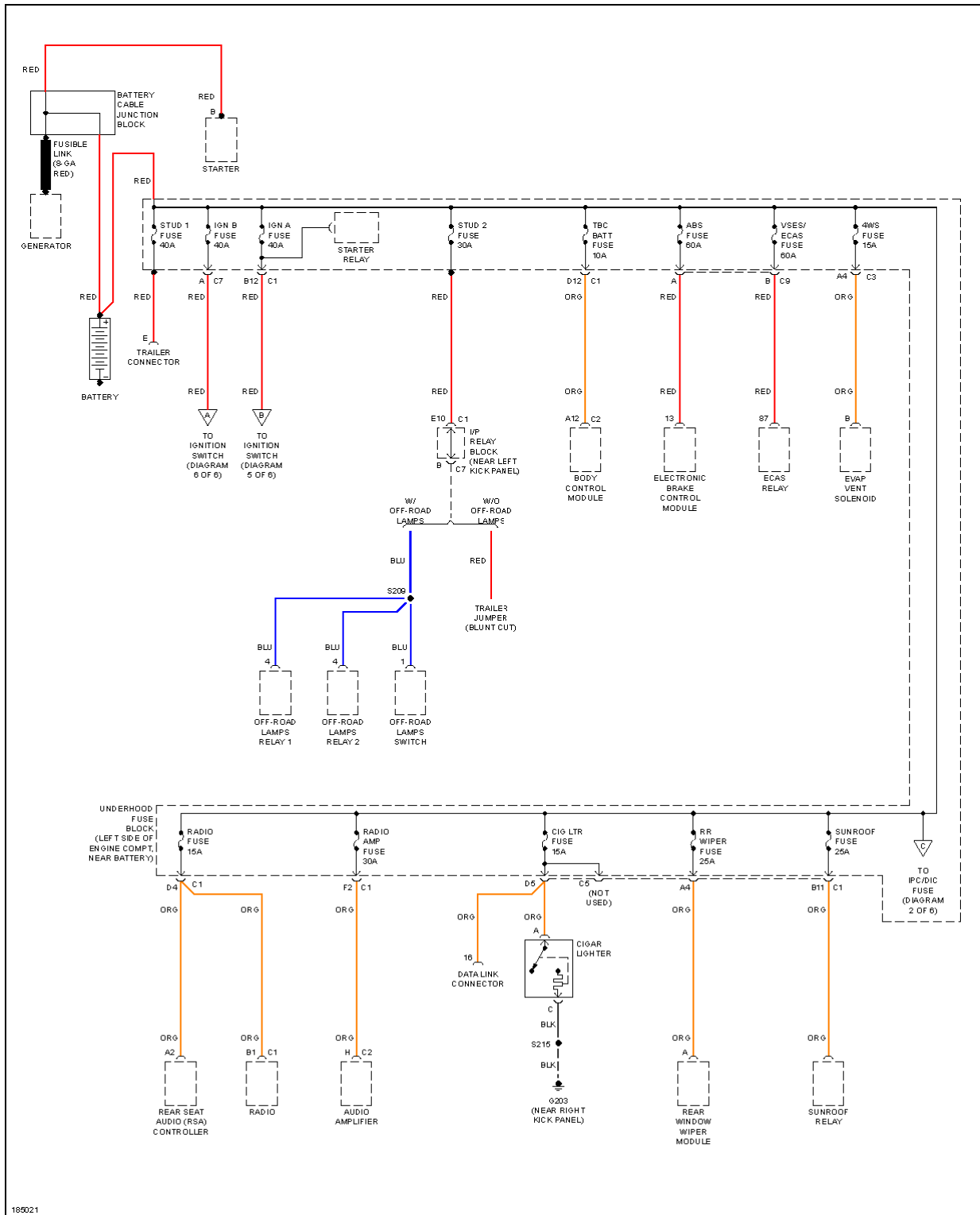


Fig. 38: Power Distribution Circuit (1 of 6)

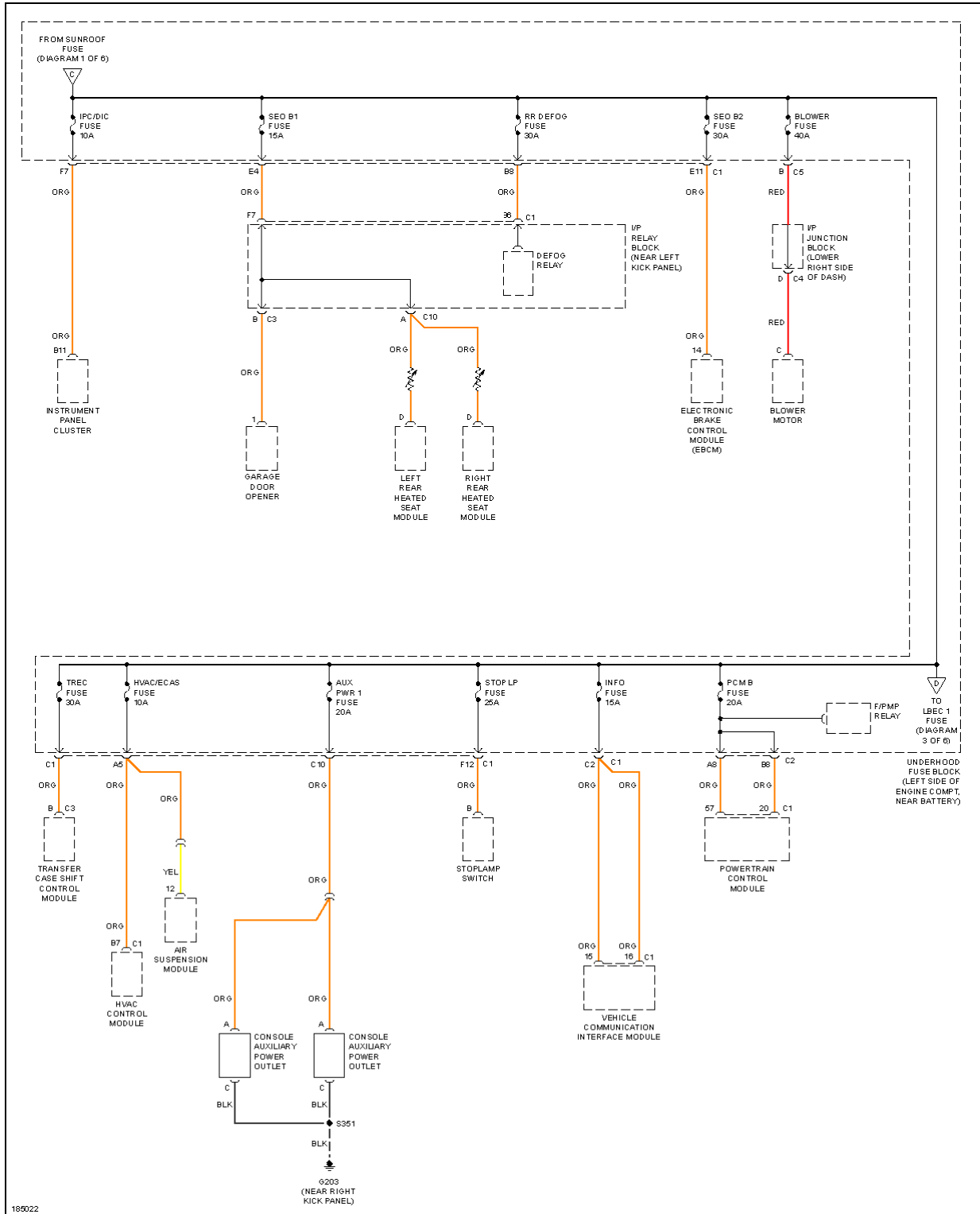


Fig. 39: Power Distribution Circuit (2 of 6)

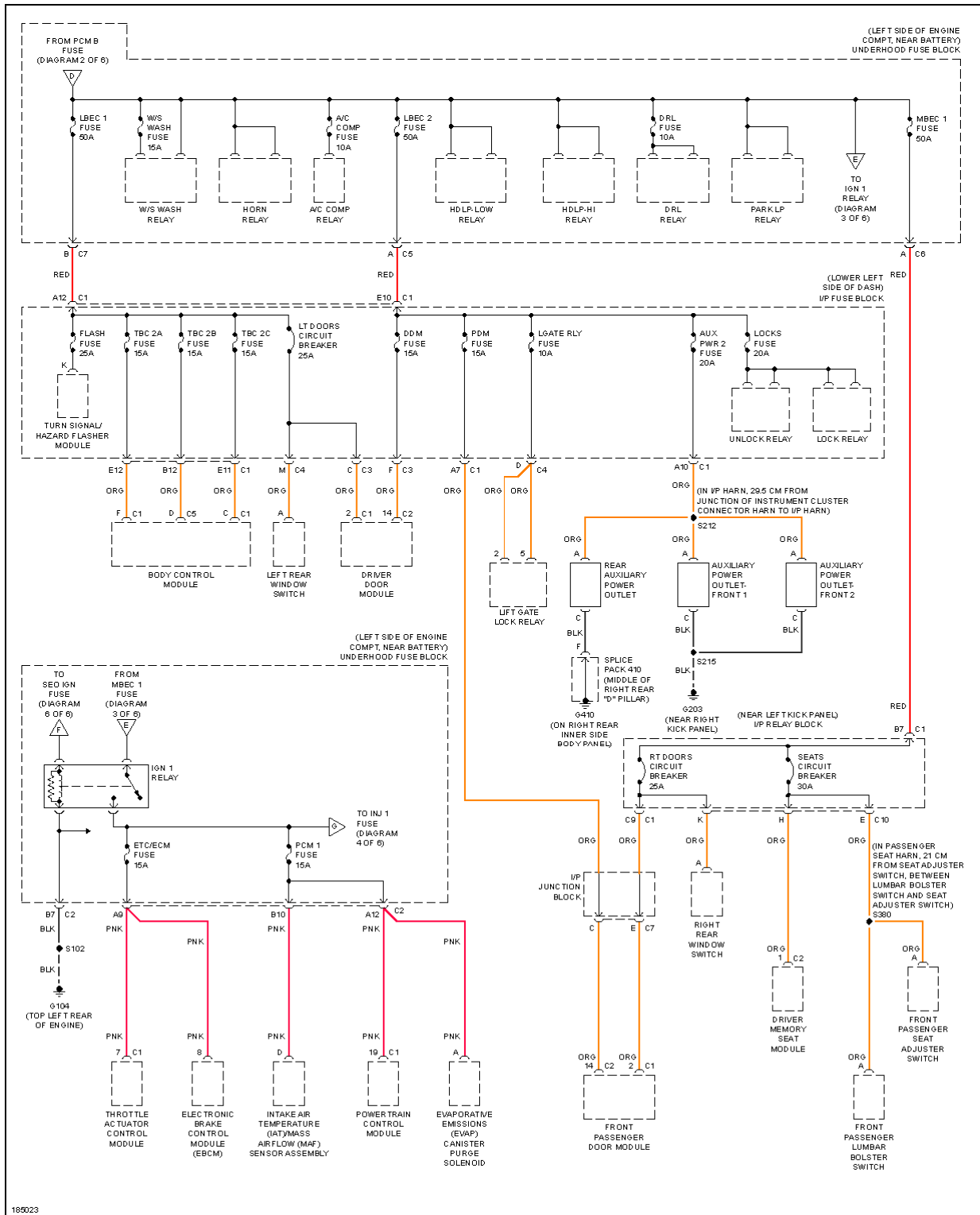


Fig. 40: Power Distribution Circuit (3 of 6)

(LEFT SIDE OF ENGINE,
COMPT. NEAR BATTERY)
UNDERHOOD FUSE BLOCK

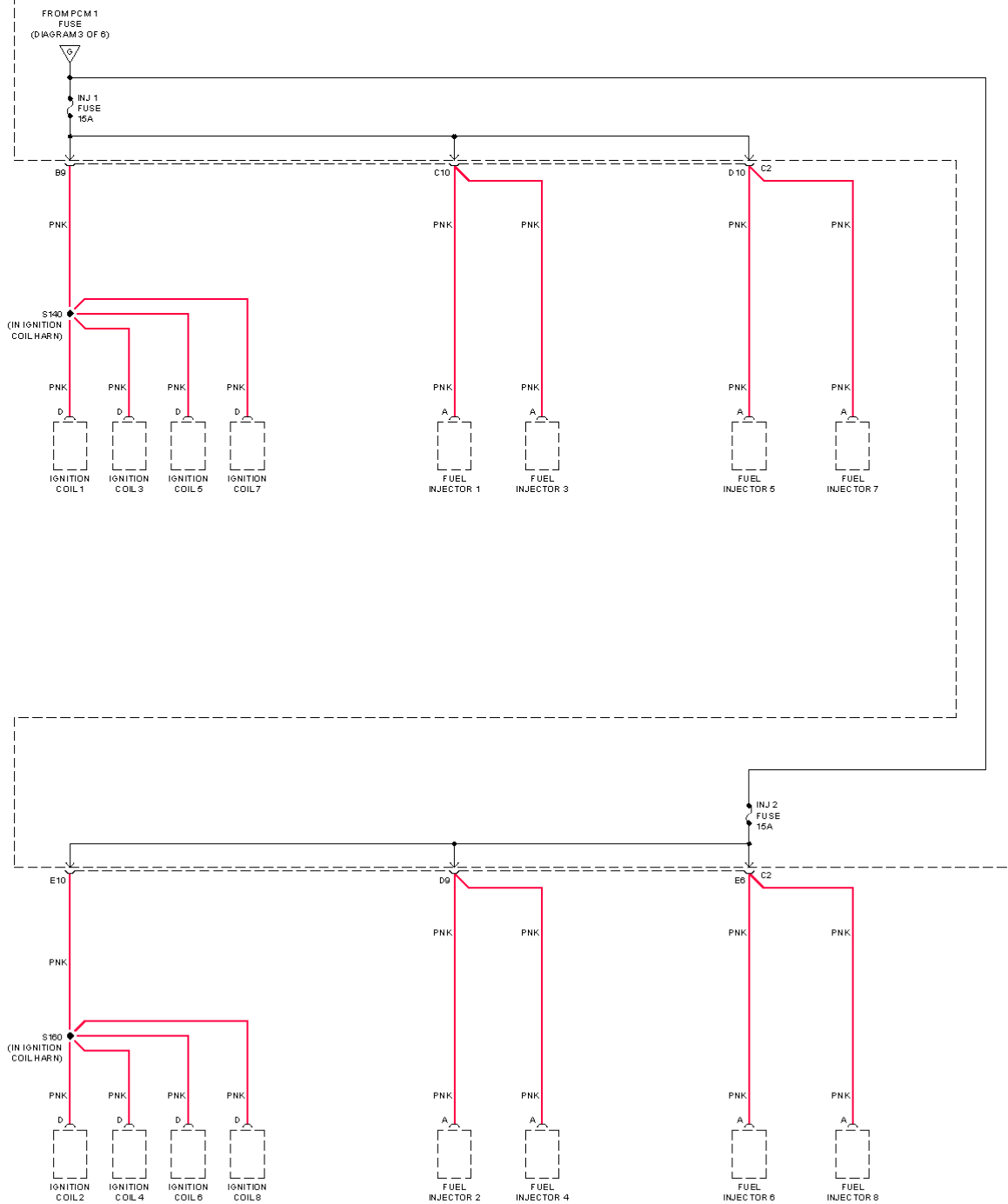


Fig. 41: Power Distribution Circuit (4 of 6)

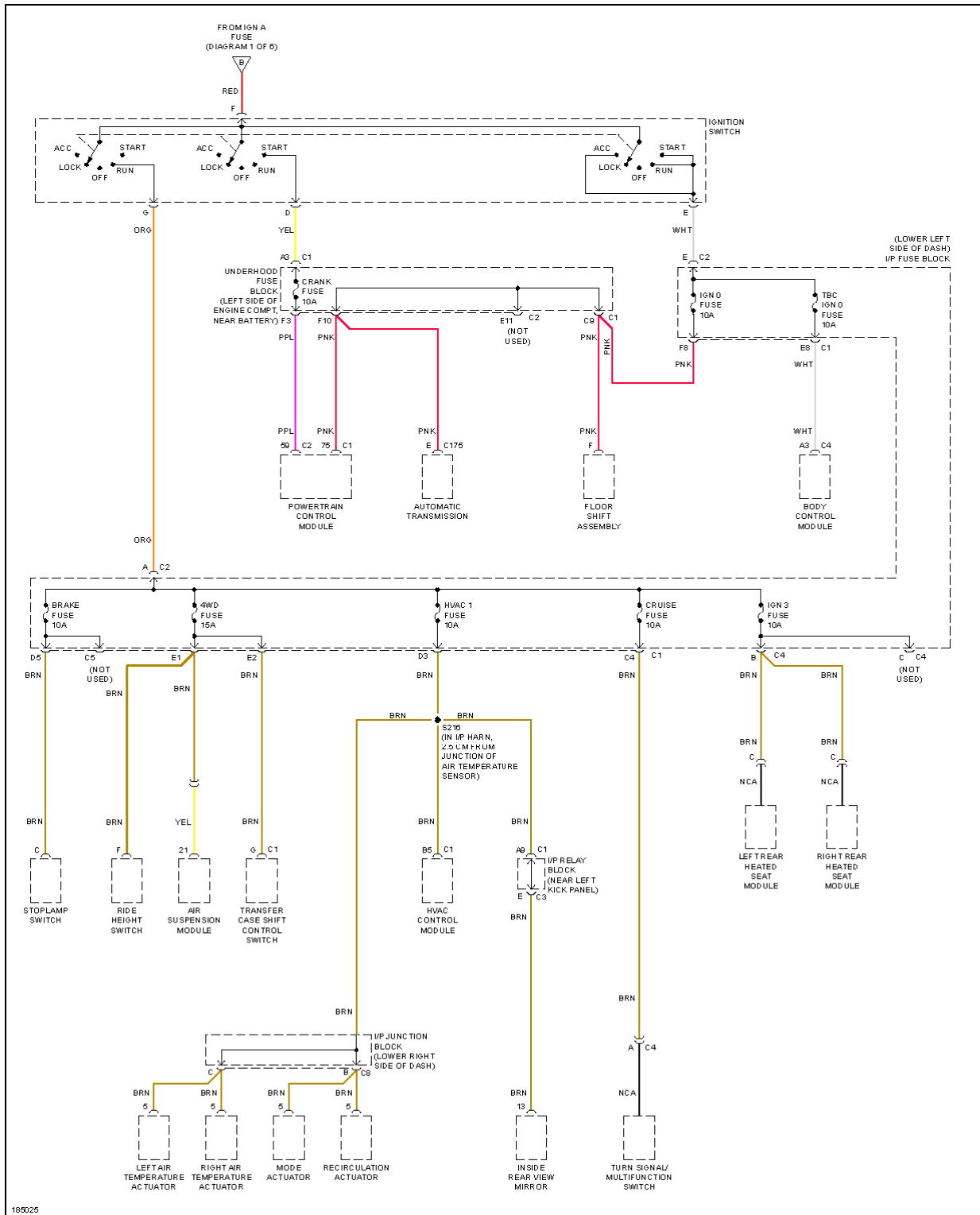


Fig. 42: Power Distribution Circuit (5 of 6)

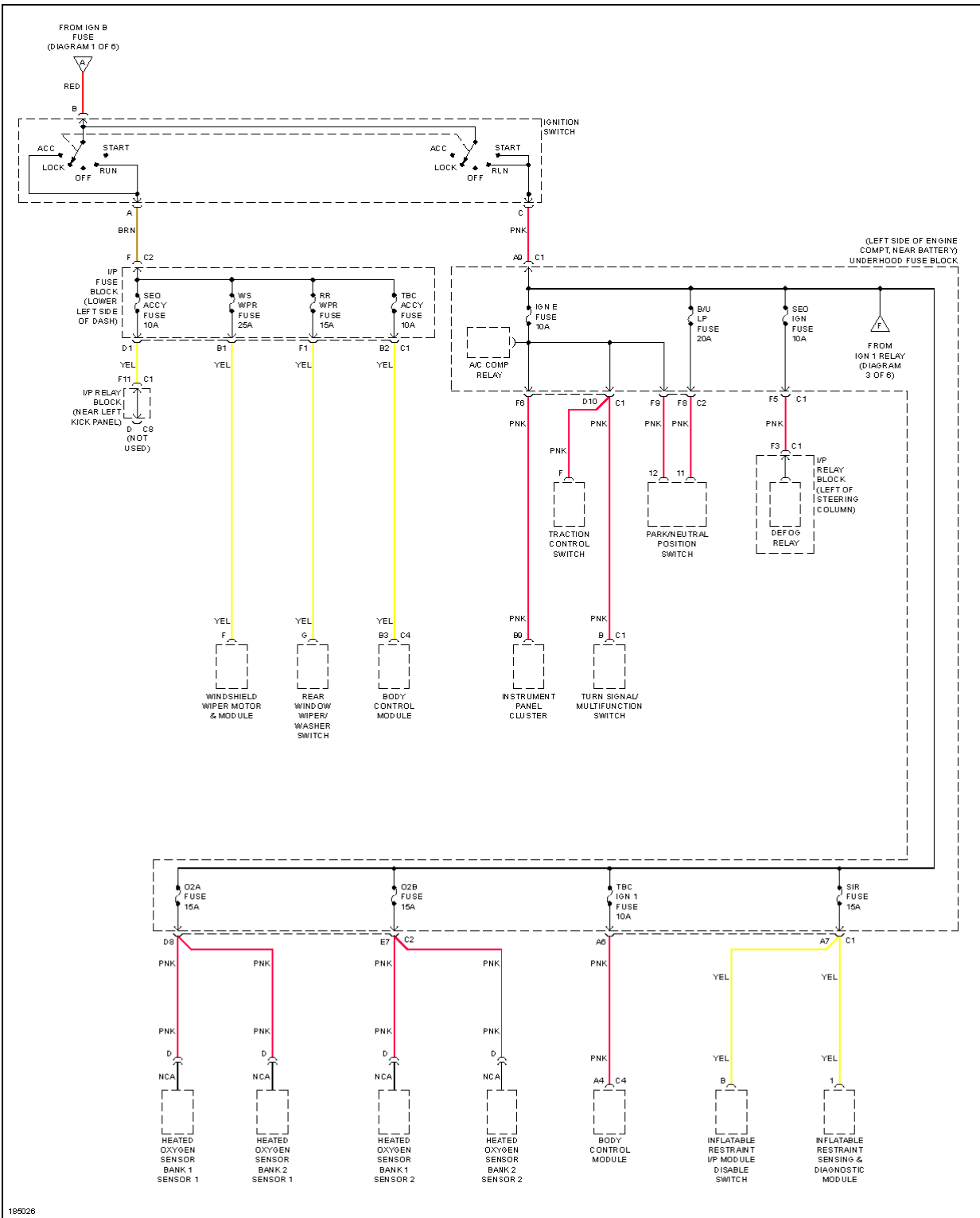


Fig. 43: Power Distribution Circuit (6 of 6)

POWER DOOR LOCKS

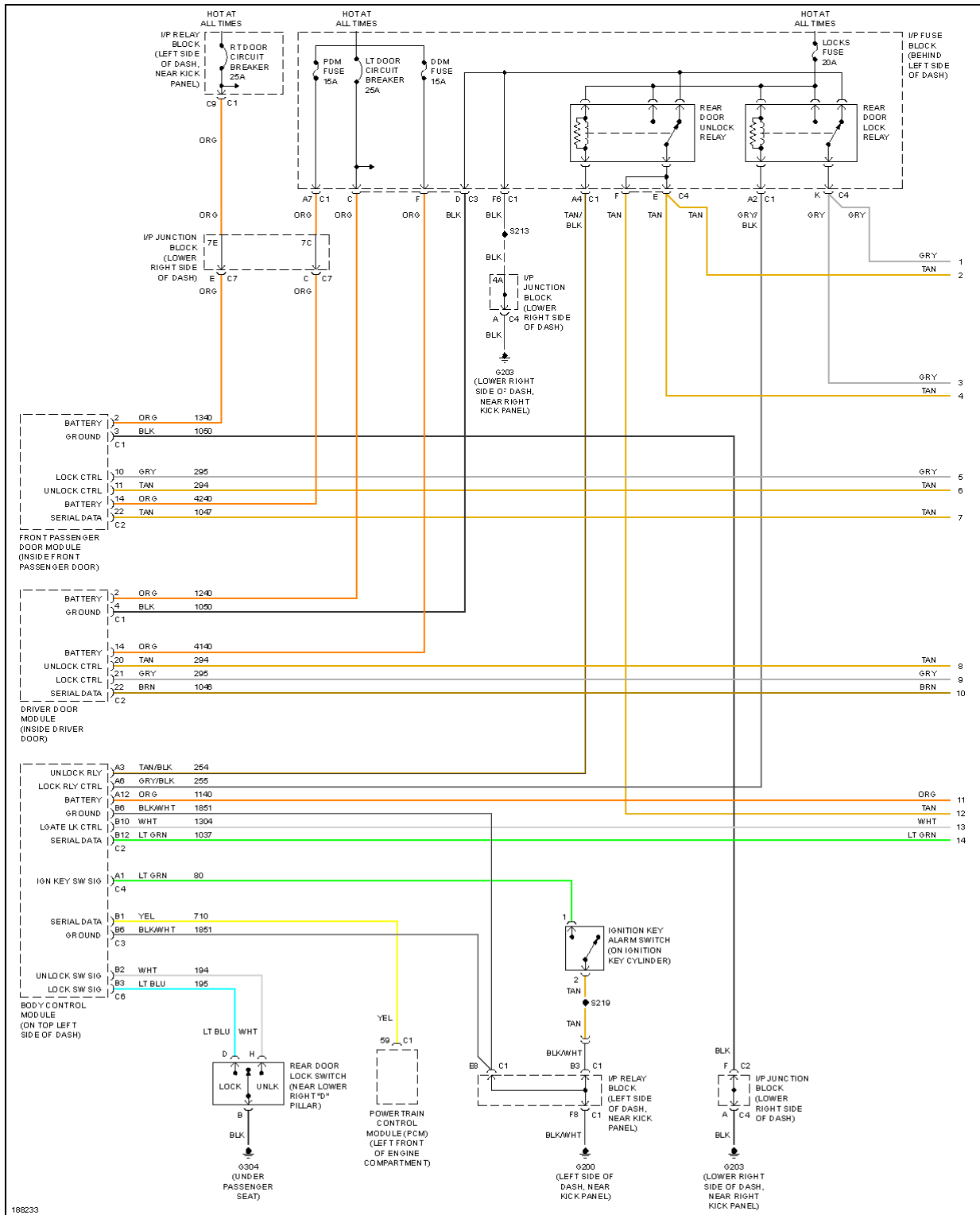


Fig. 44: Power Door Locks Circuit (1 of 2)

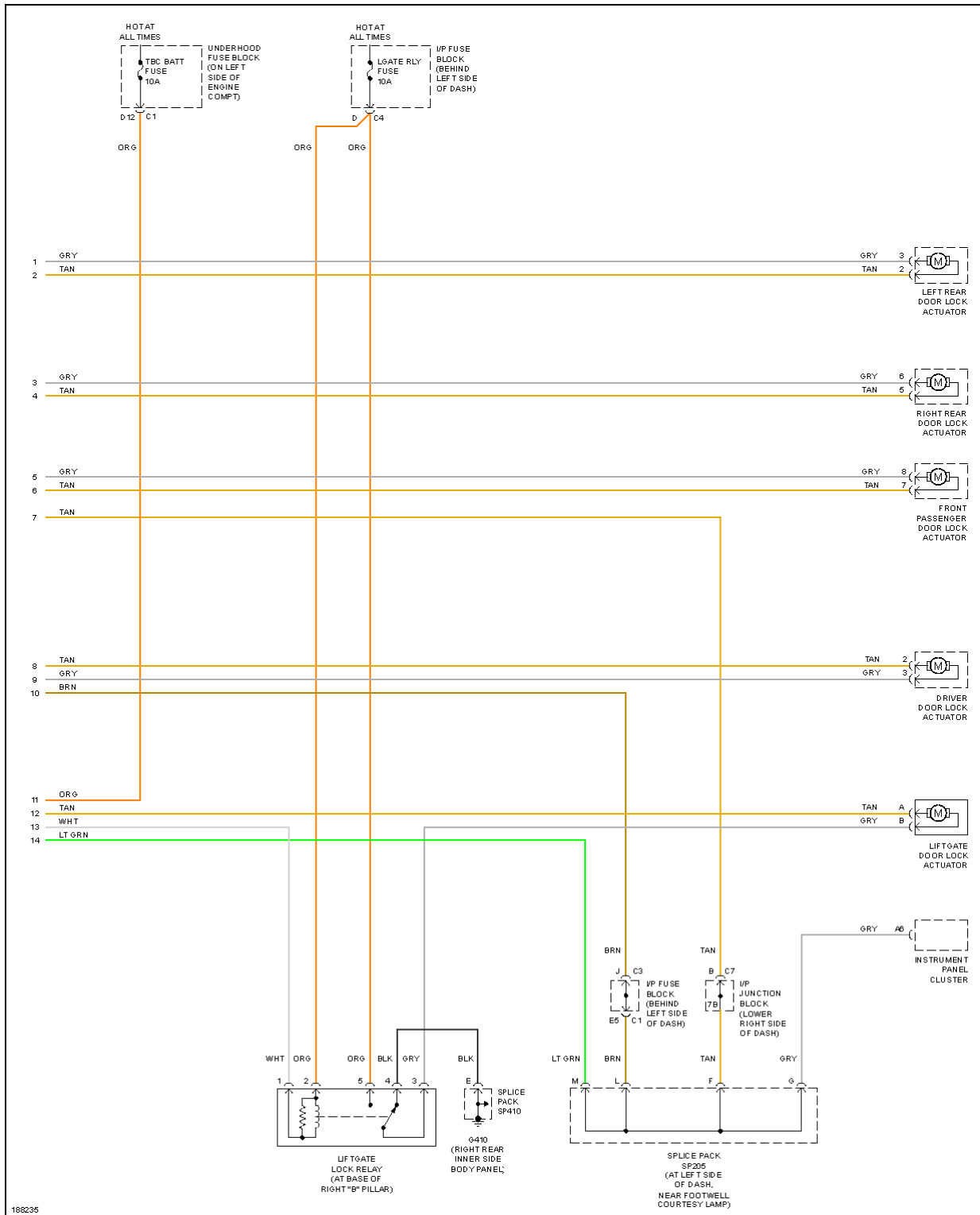


Fig. 45: Power Door Locks Circuit (2 of 2)

POWER MIRRORS

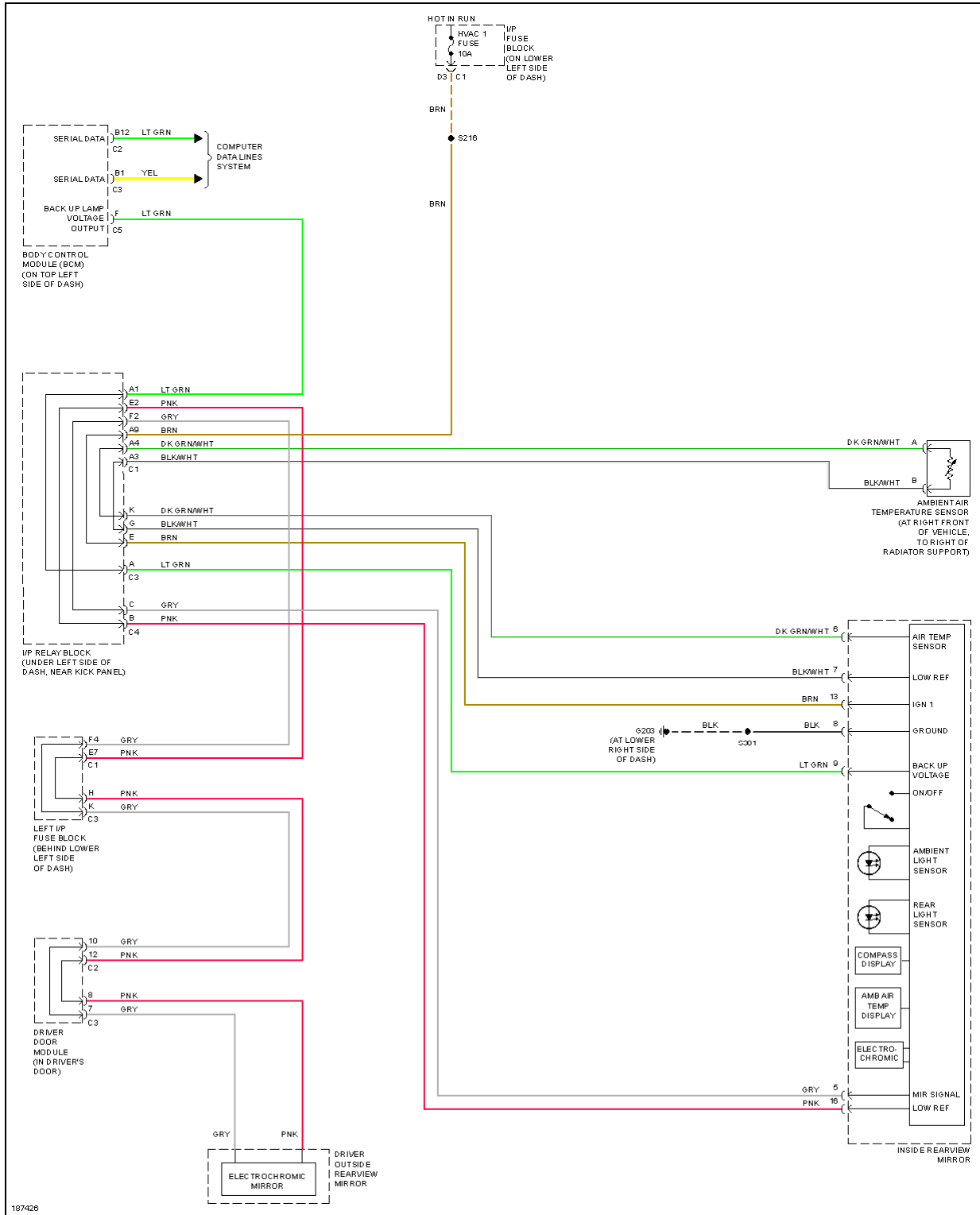


Fig. 46: Power Mirrors Circuit

POWER SEATS

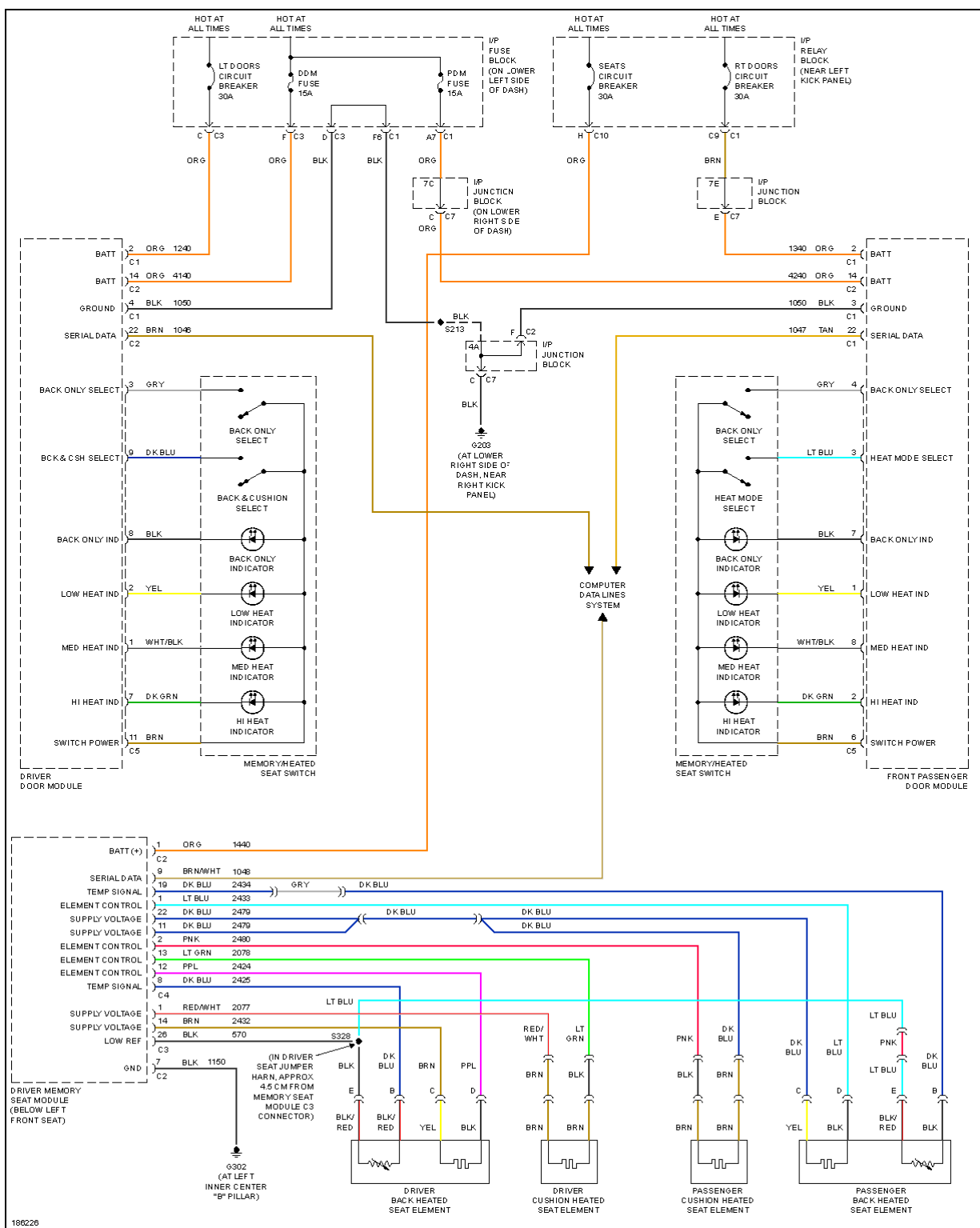


Fig. 47: Front Seat Heater Circuit

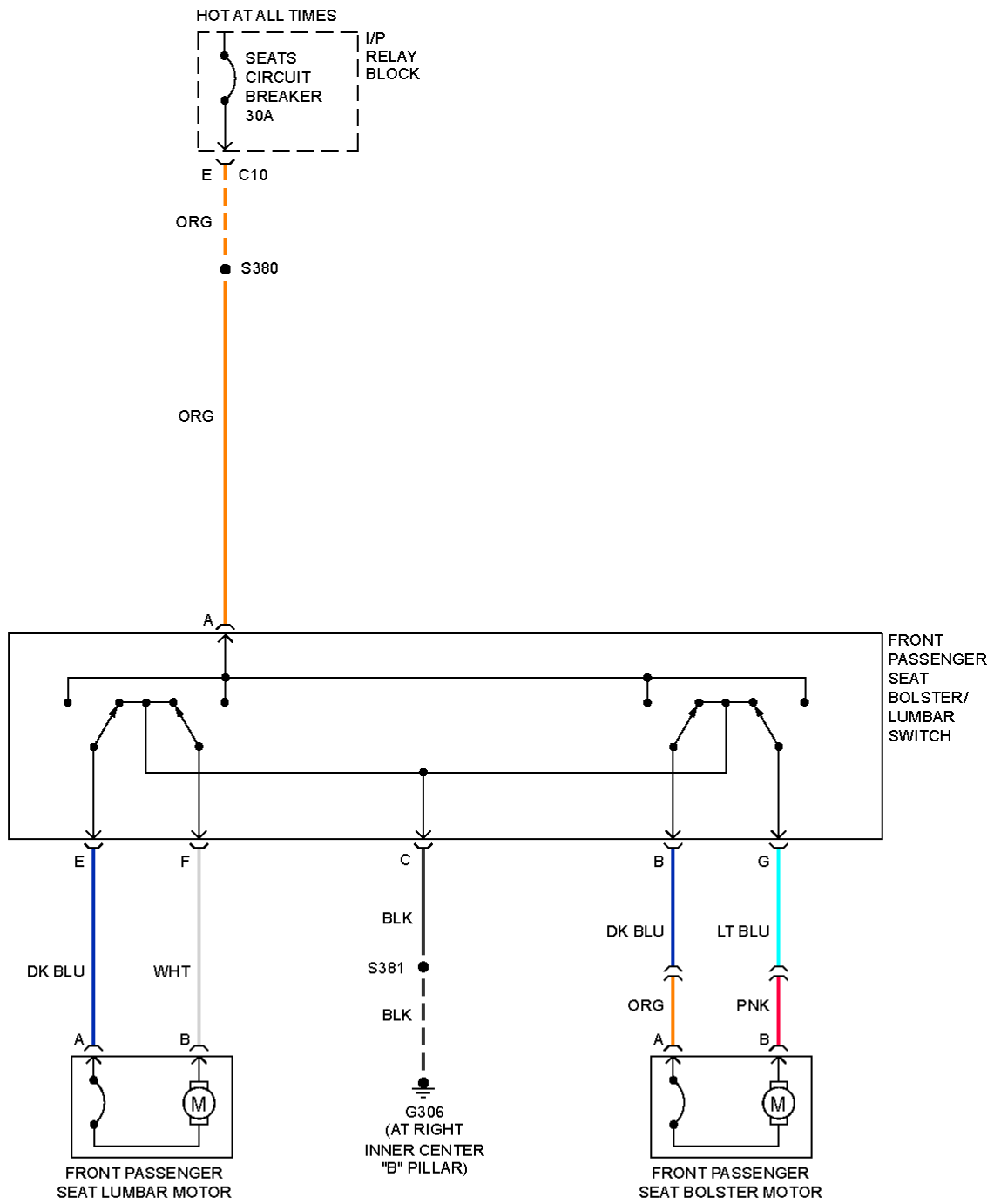


Fig. 48: Lumbar Circuit

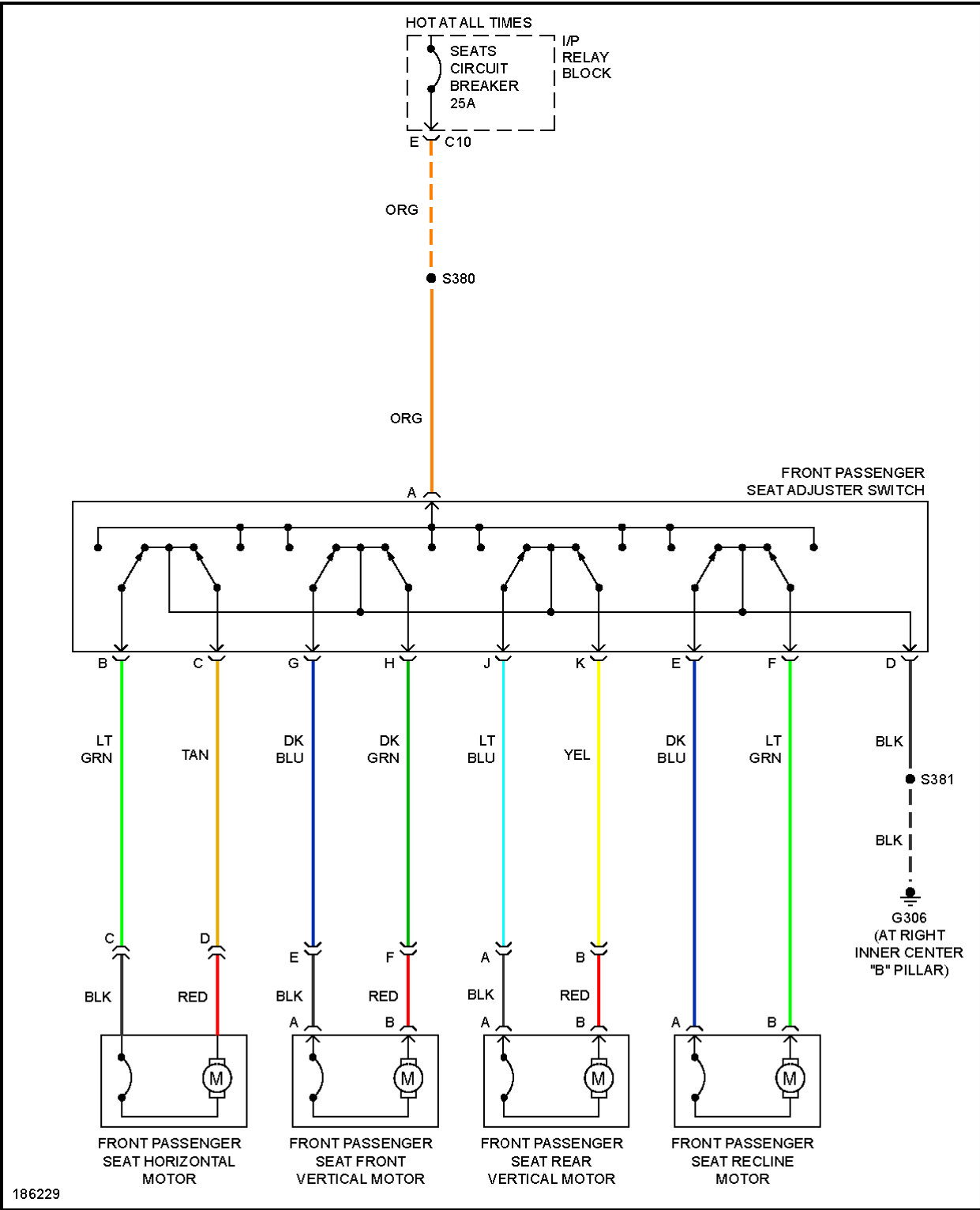


Fig. 49: Passenger Power Seat Circuit

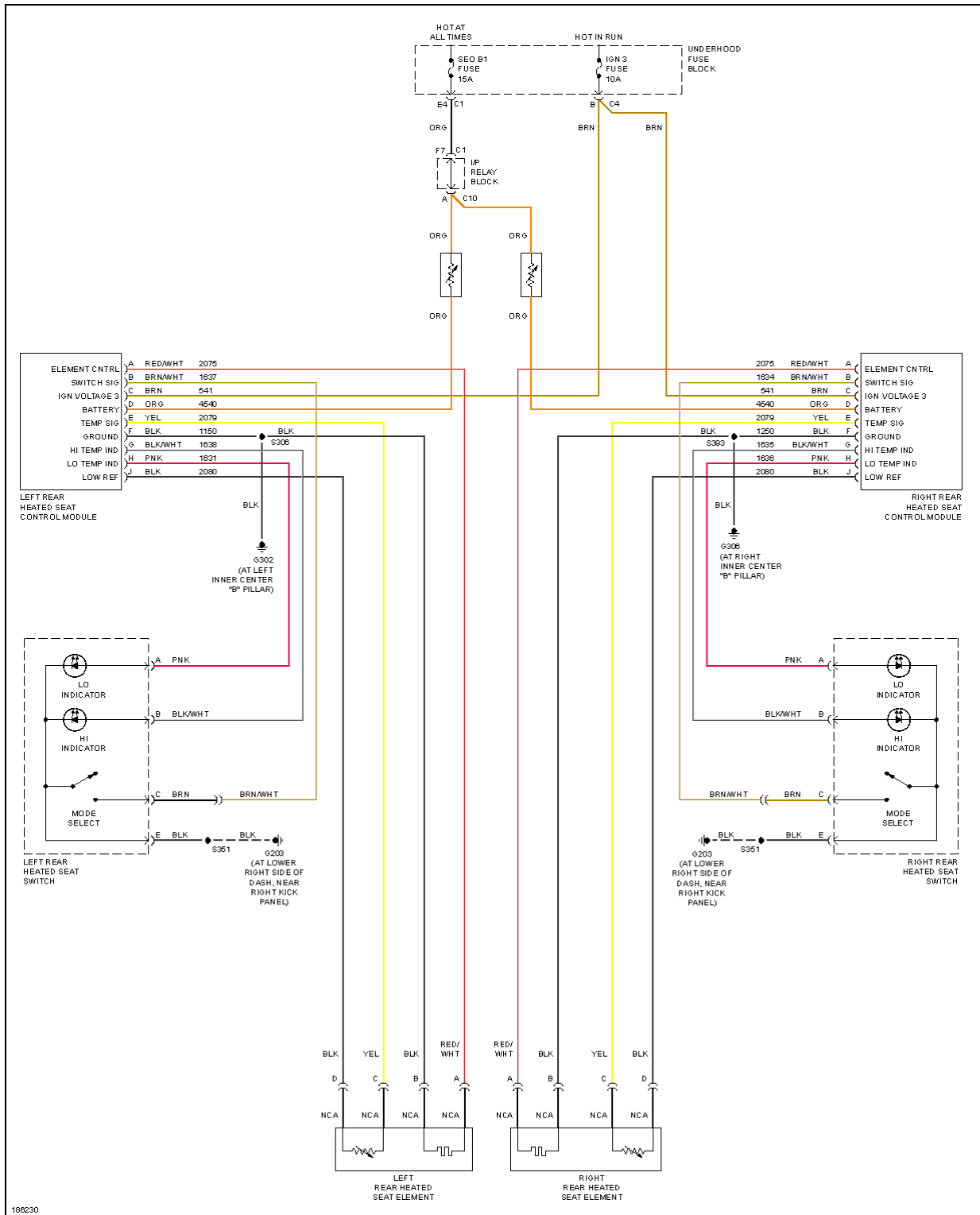


Fig. 50: Rear Seat Heater Circuit

POWER TOP/SUNROOF

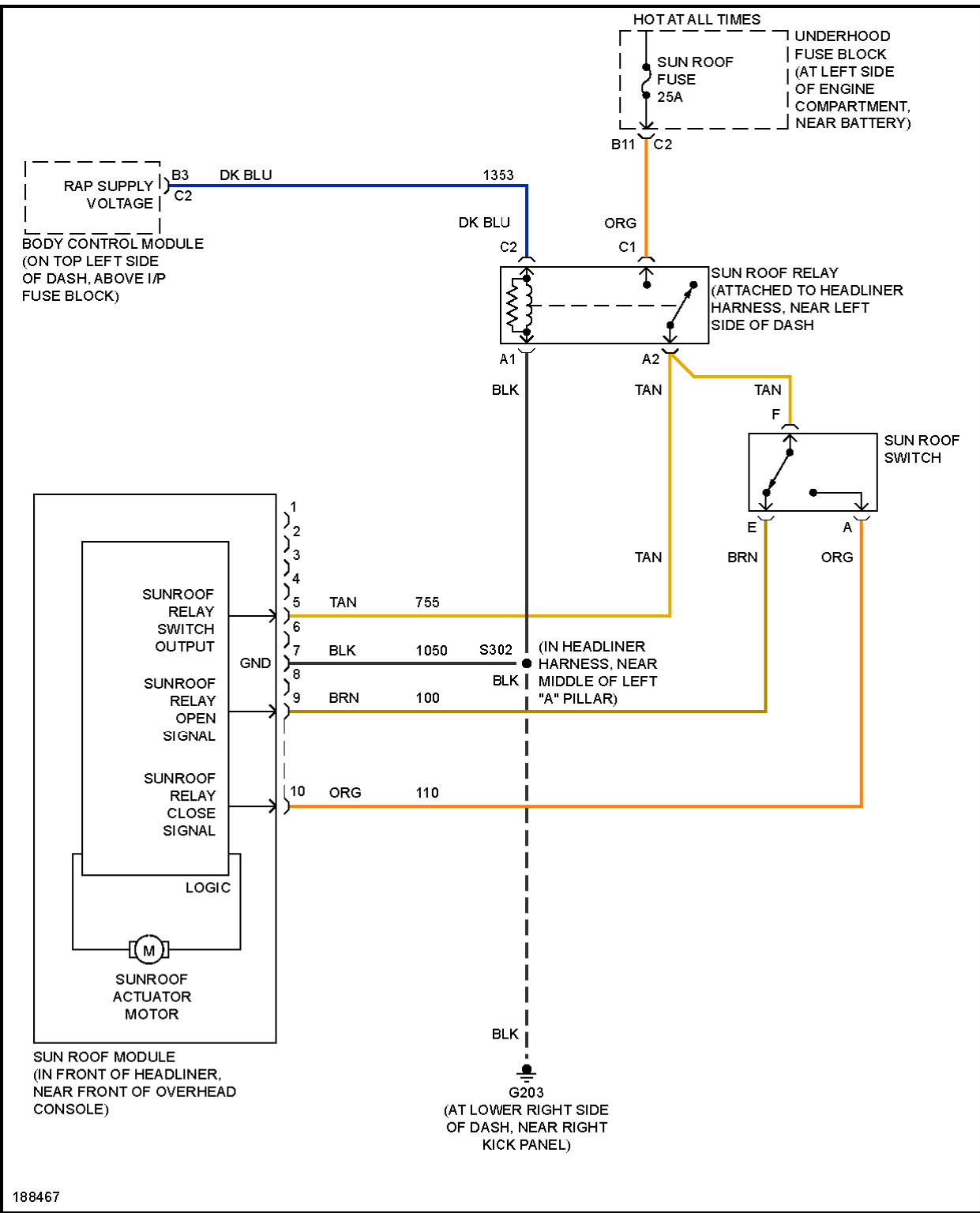


Fig. 51: Power Top/Sunroof Circuit

POWER WINDOWS

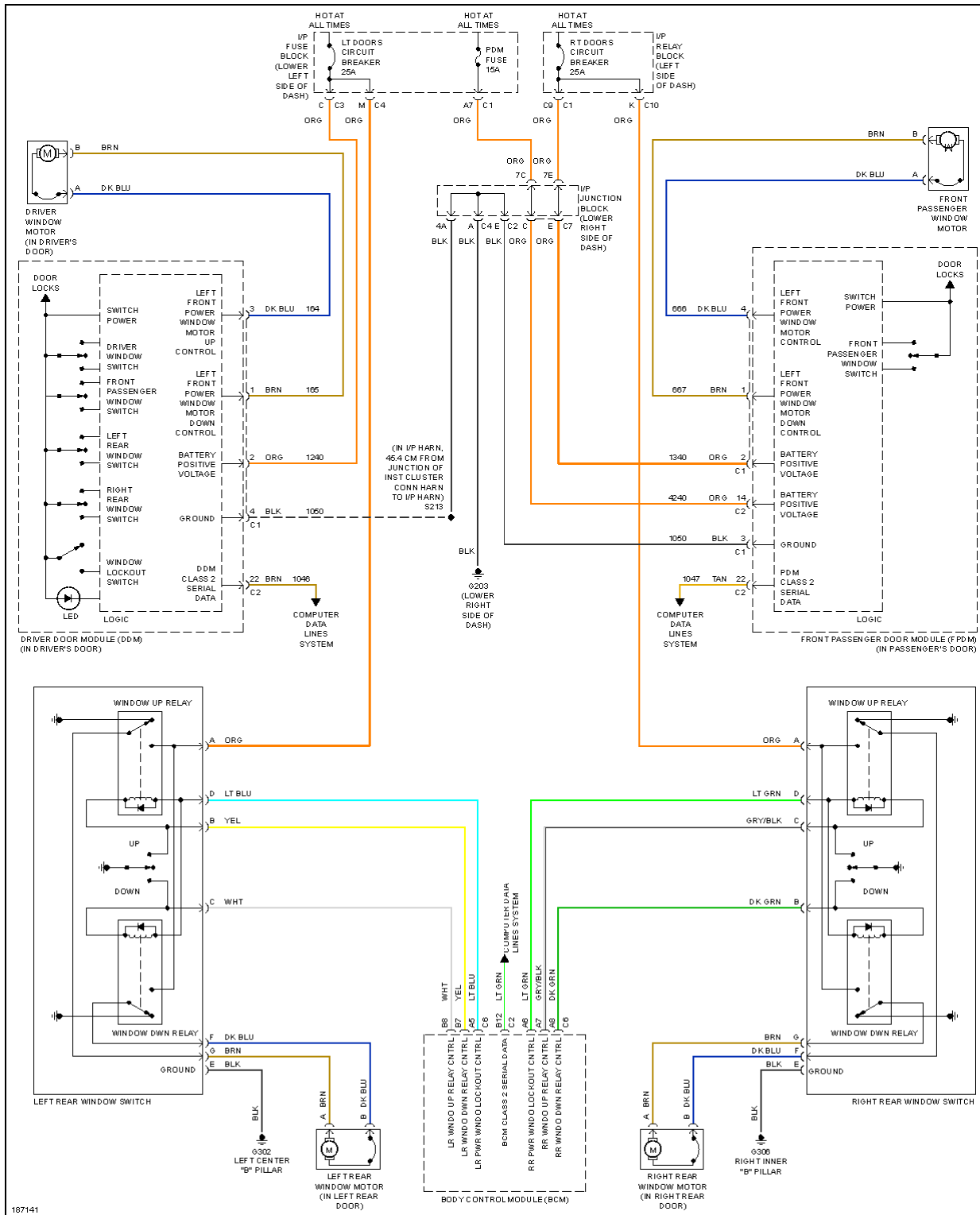


Fig. 52: Power Windows Circuit

RADIO

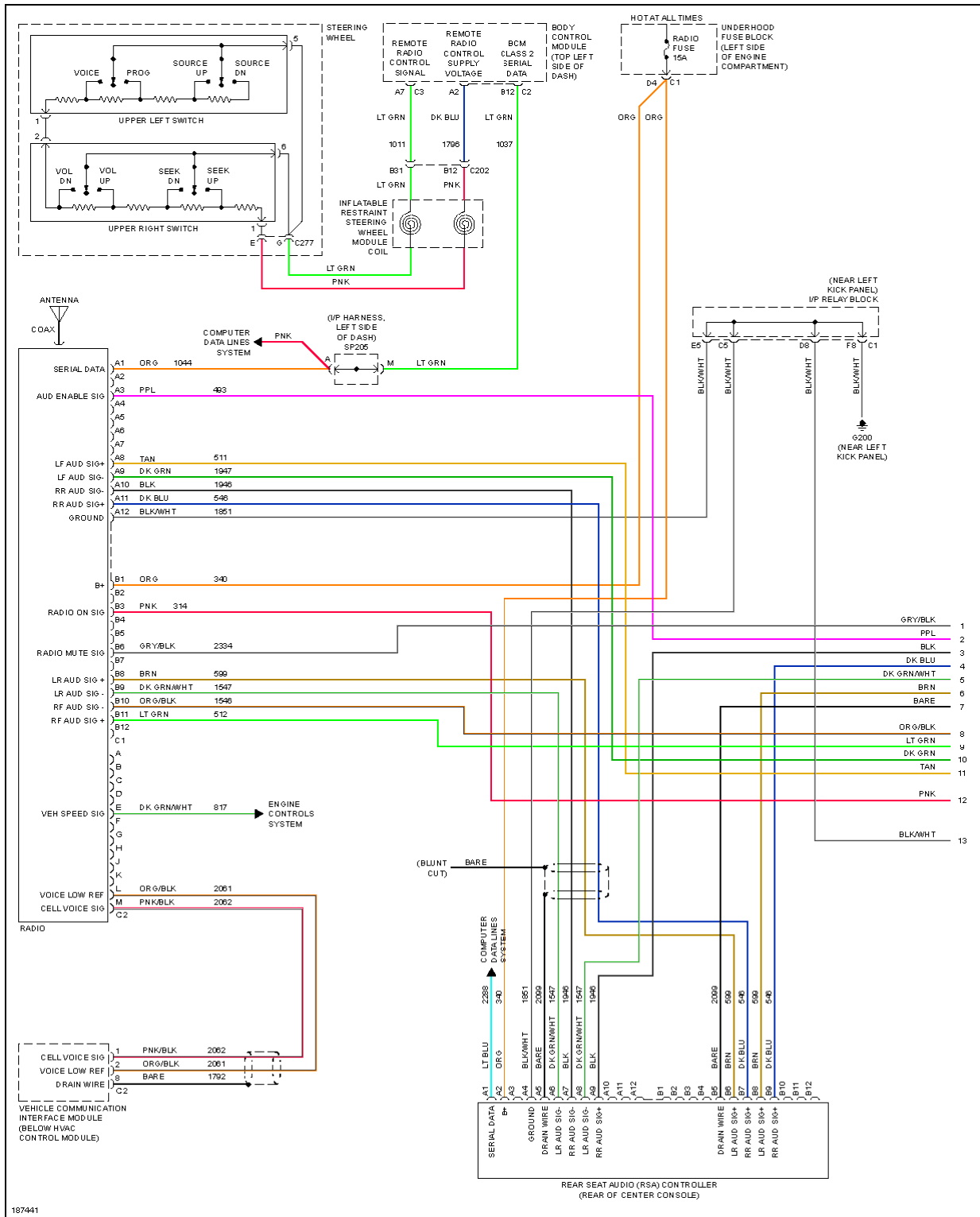


Fig. 53: Base Radio Circuit (1 of 2)

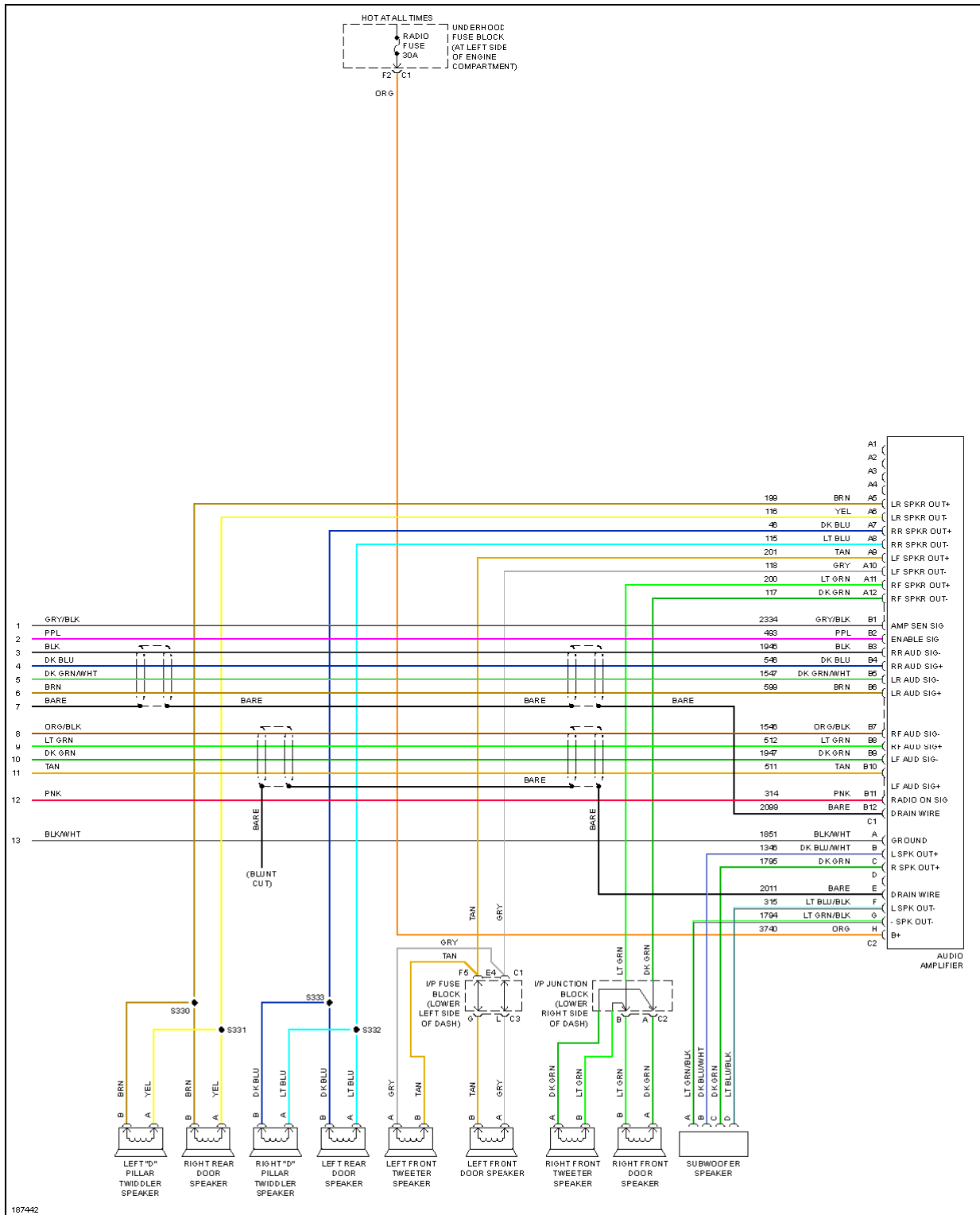


Fig. 54: Base Radio Circuit (2 of 2)

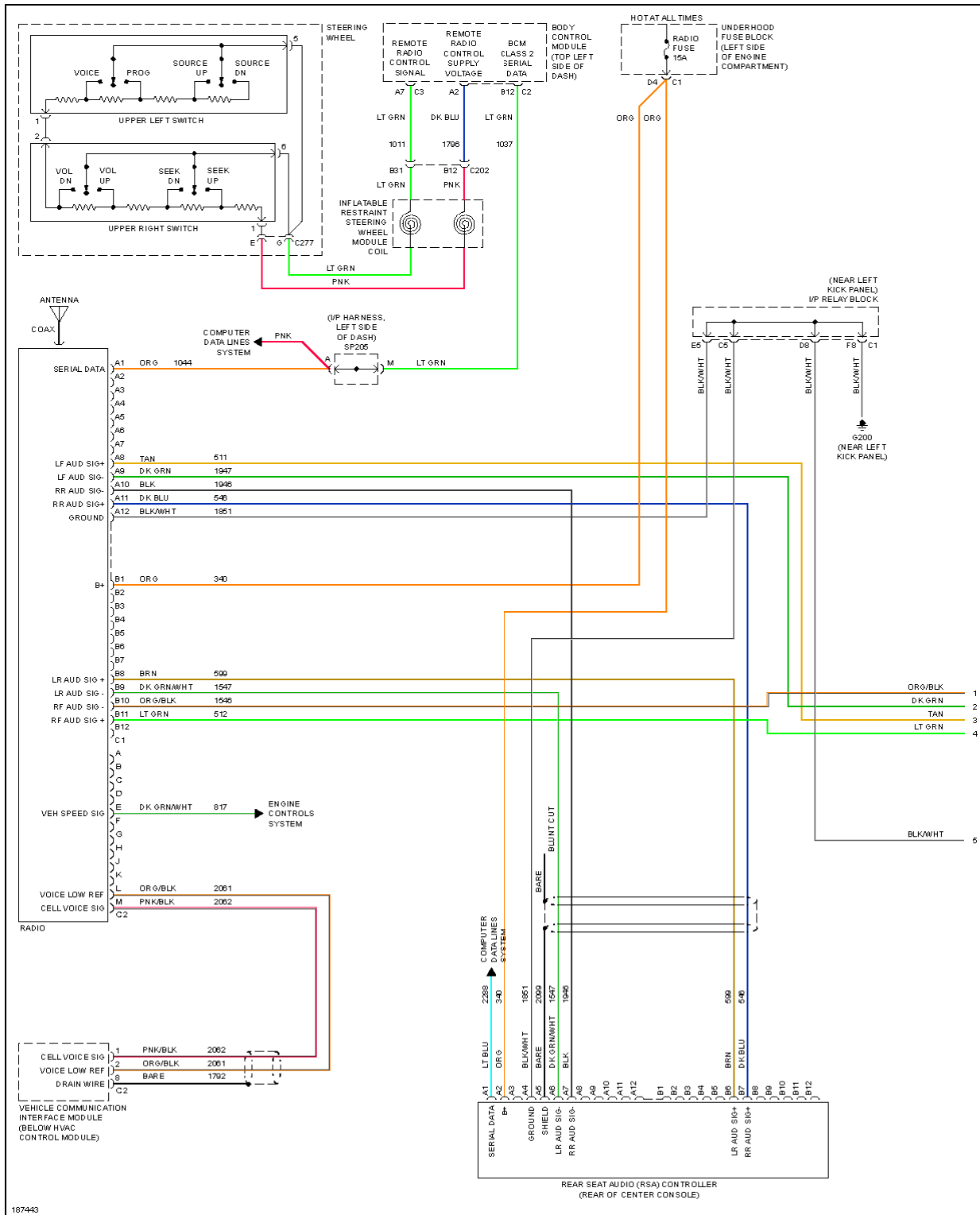


Fig. 55: Premium Sound Radio Circuit (1 of 2)

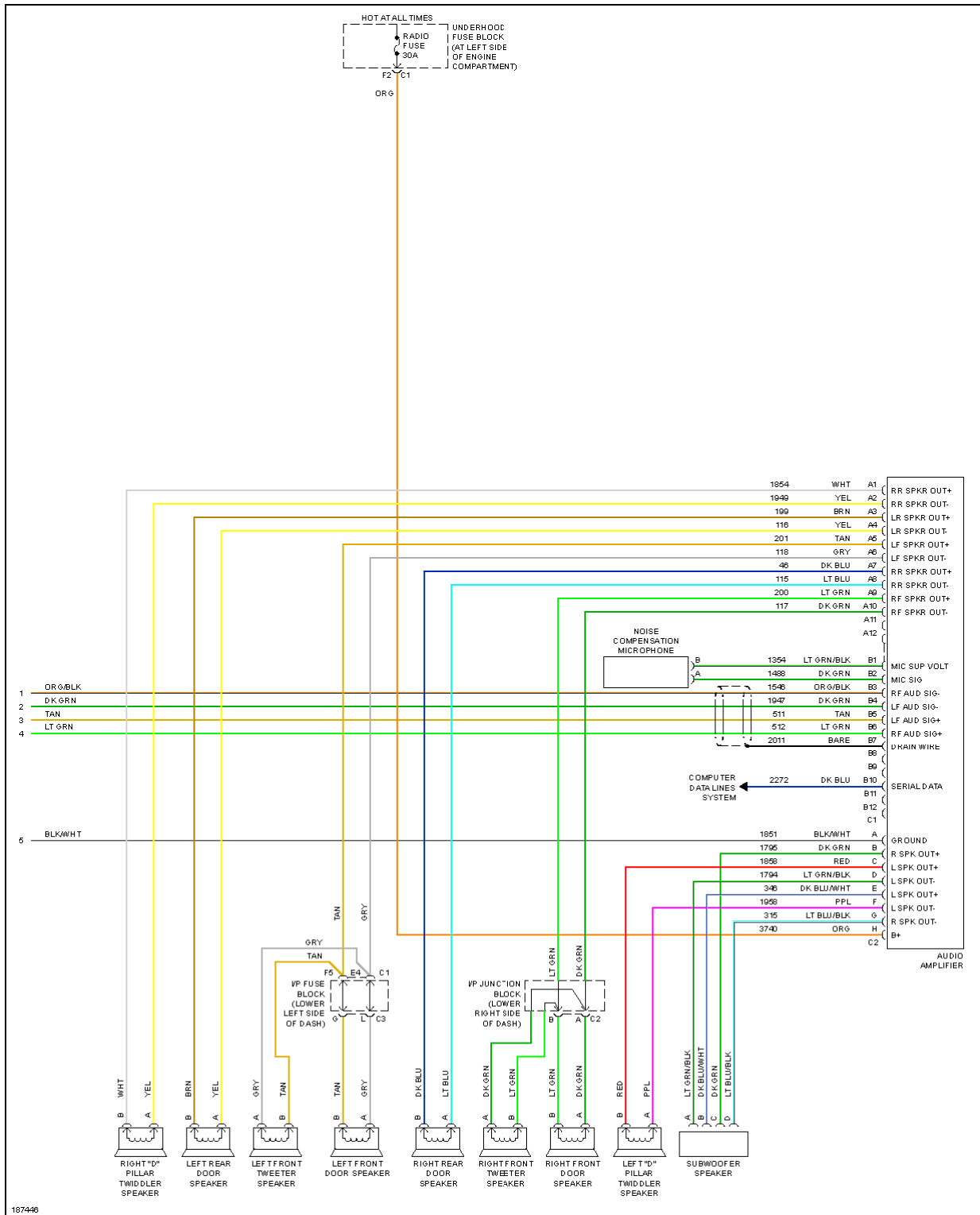


Fig. 56: Premium Sound Radio Circuit (2 of 2)

SHIFT INTERLOCK

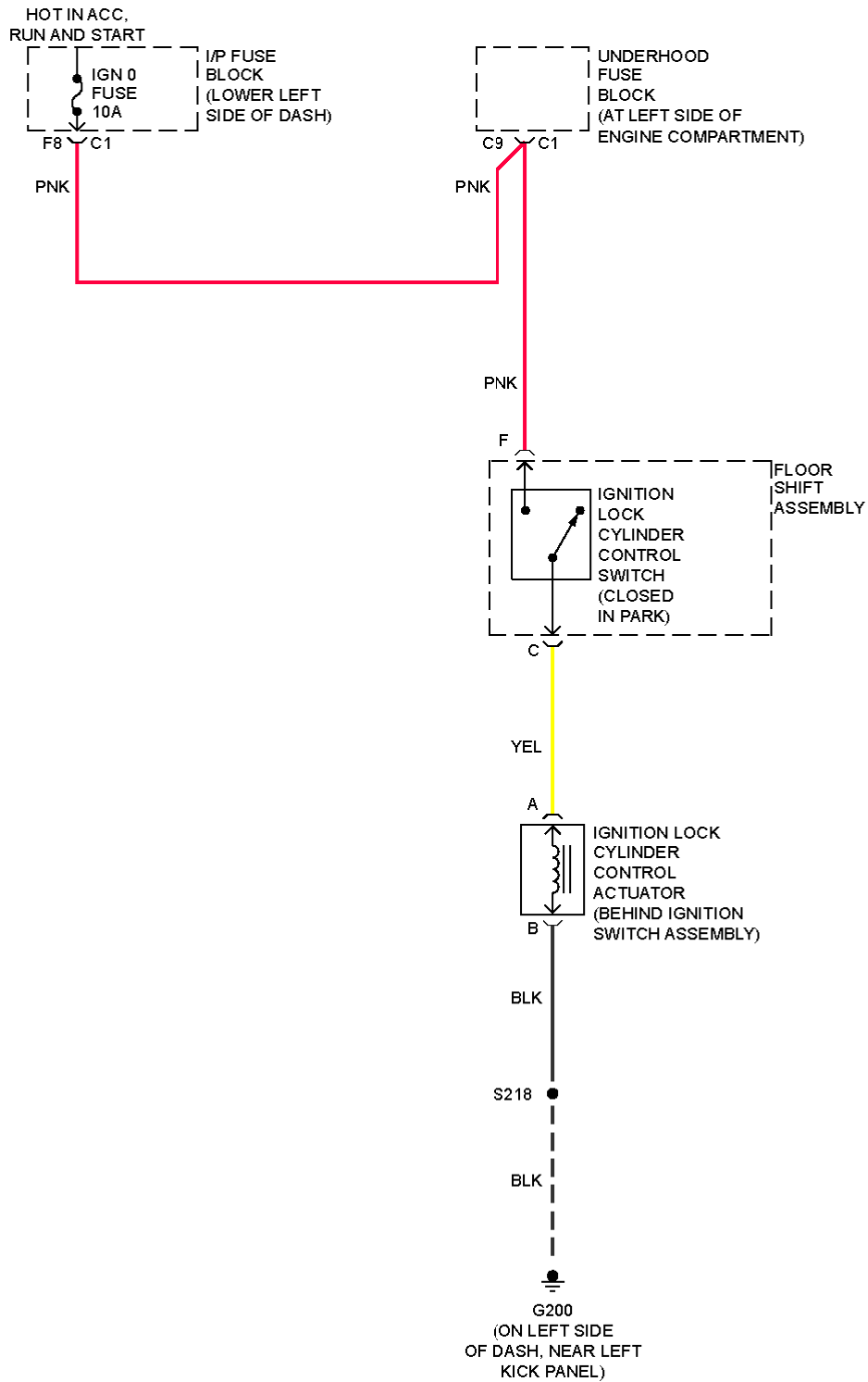


Fig. 57: Ignition Lock Solenoid Circuit

HOT IN RUN OR START

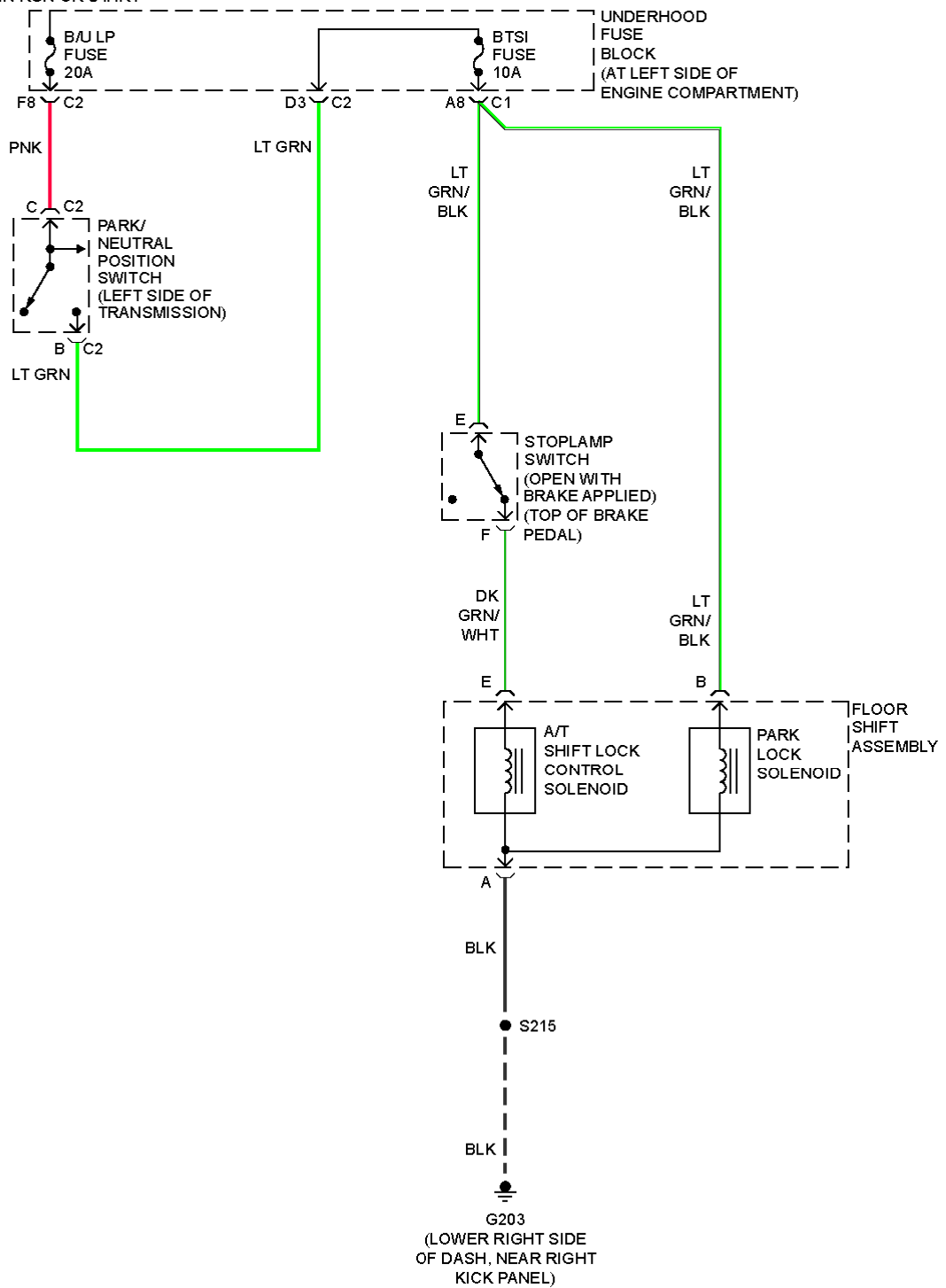


Fig. 58: Shift Interlock Circuit

STARTING/CHARGING

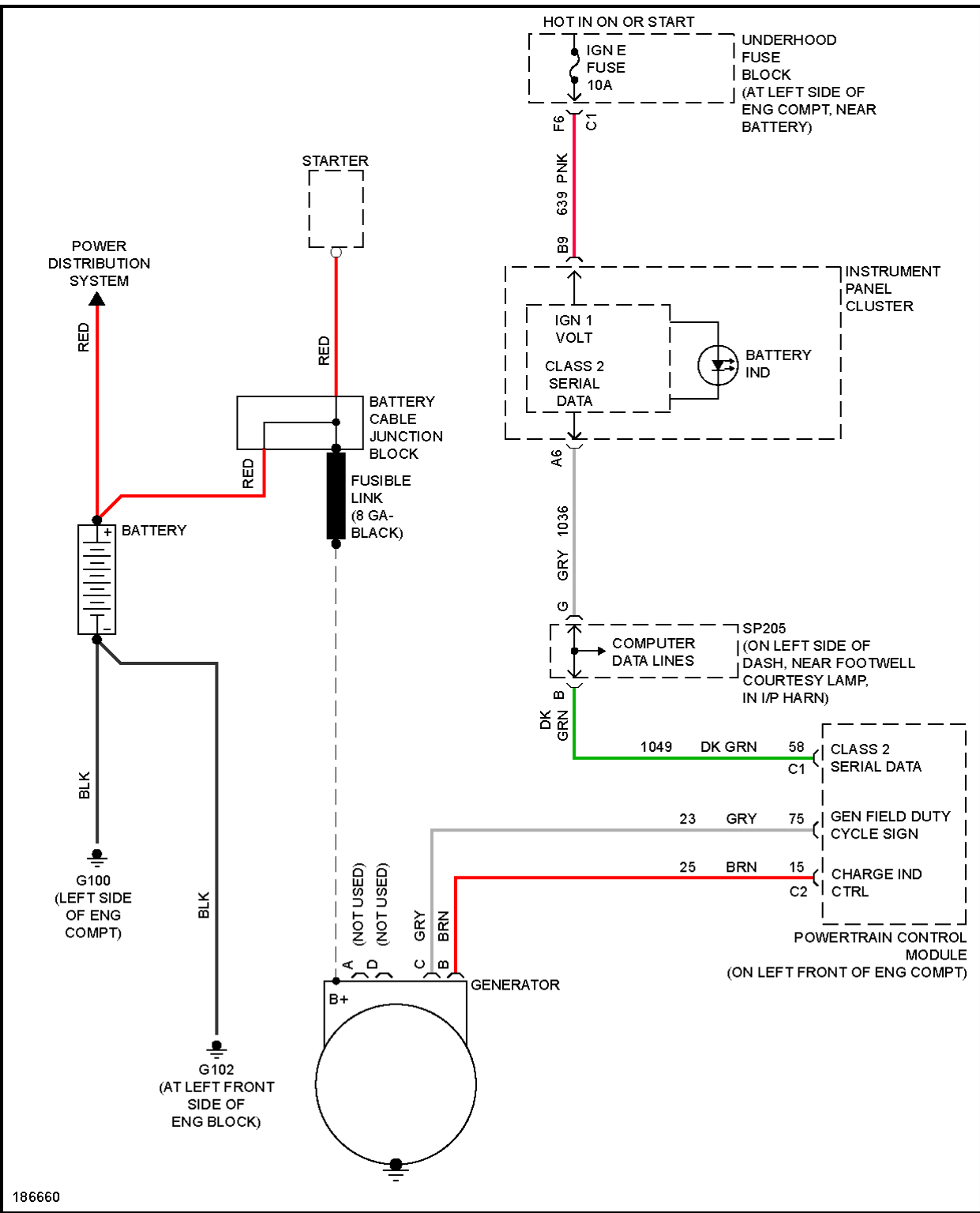


Fig. 59: Charging Circuit

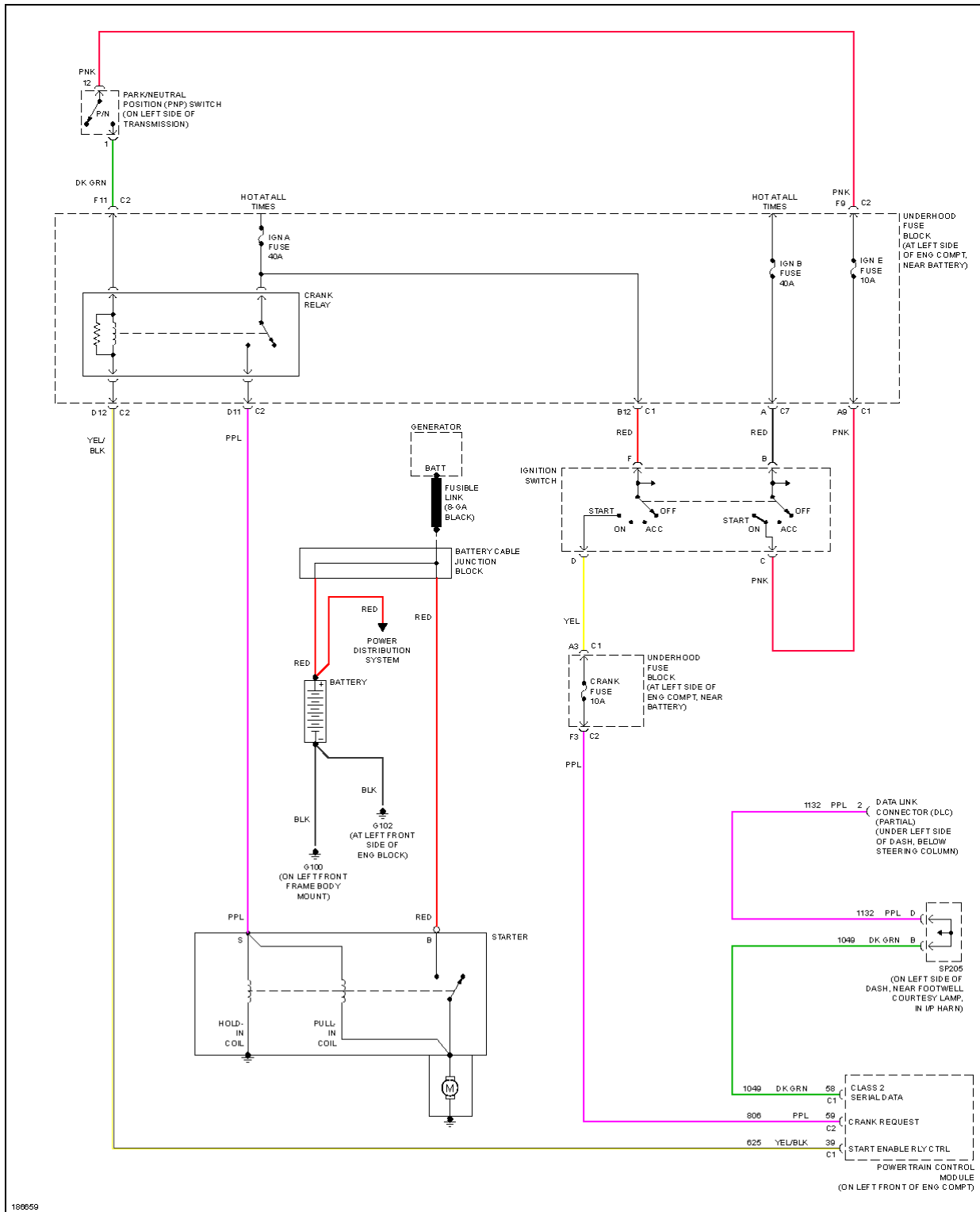


Fig. 60: Starting Circuit

SUPPLEMENTAL RESTRAINTS

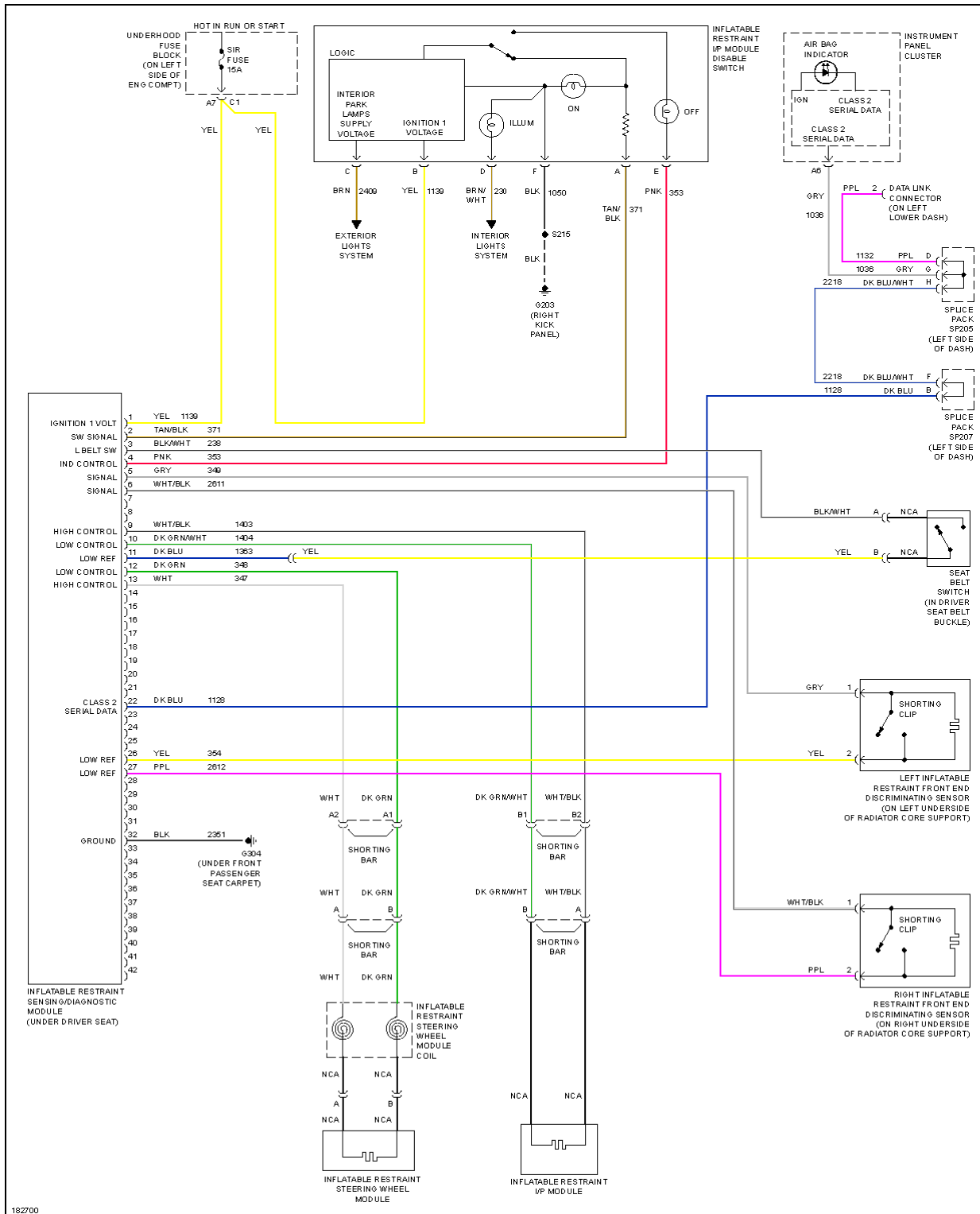


Fig. 61: Supplemental Restraints Circuit

TRANSMISSION

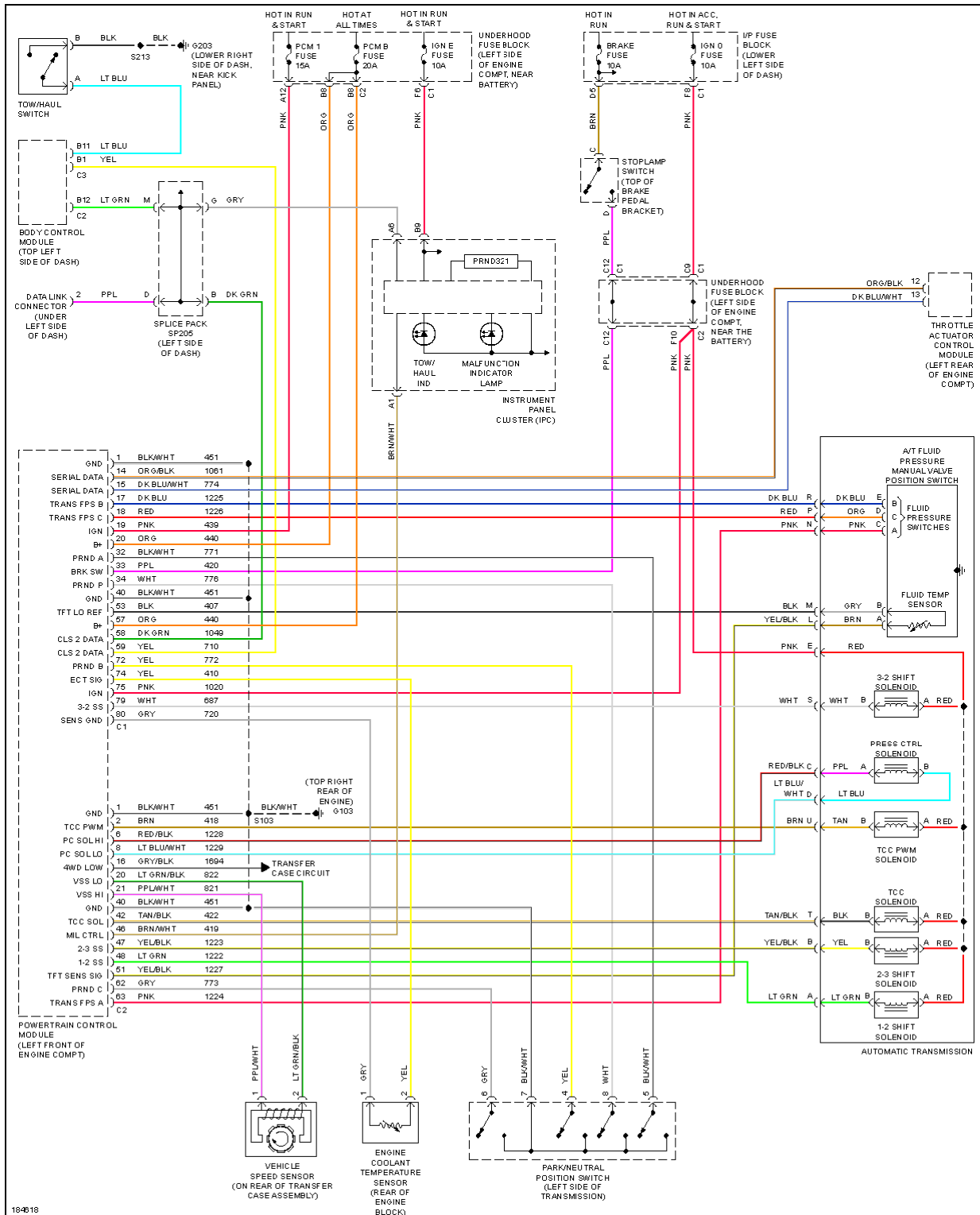


Fig. 62: A/T Circuit

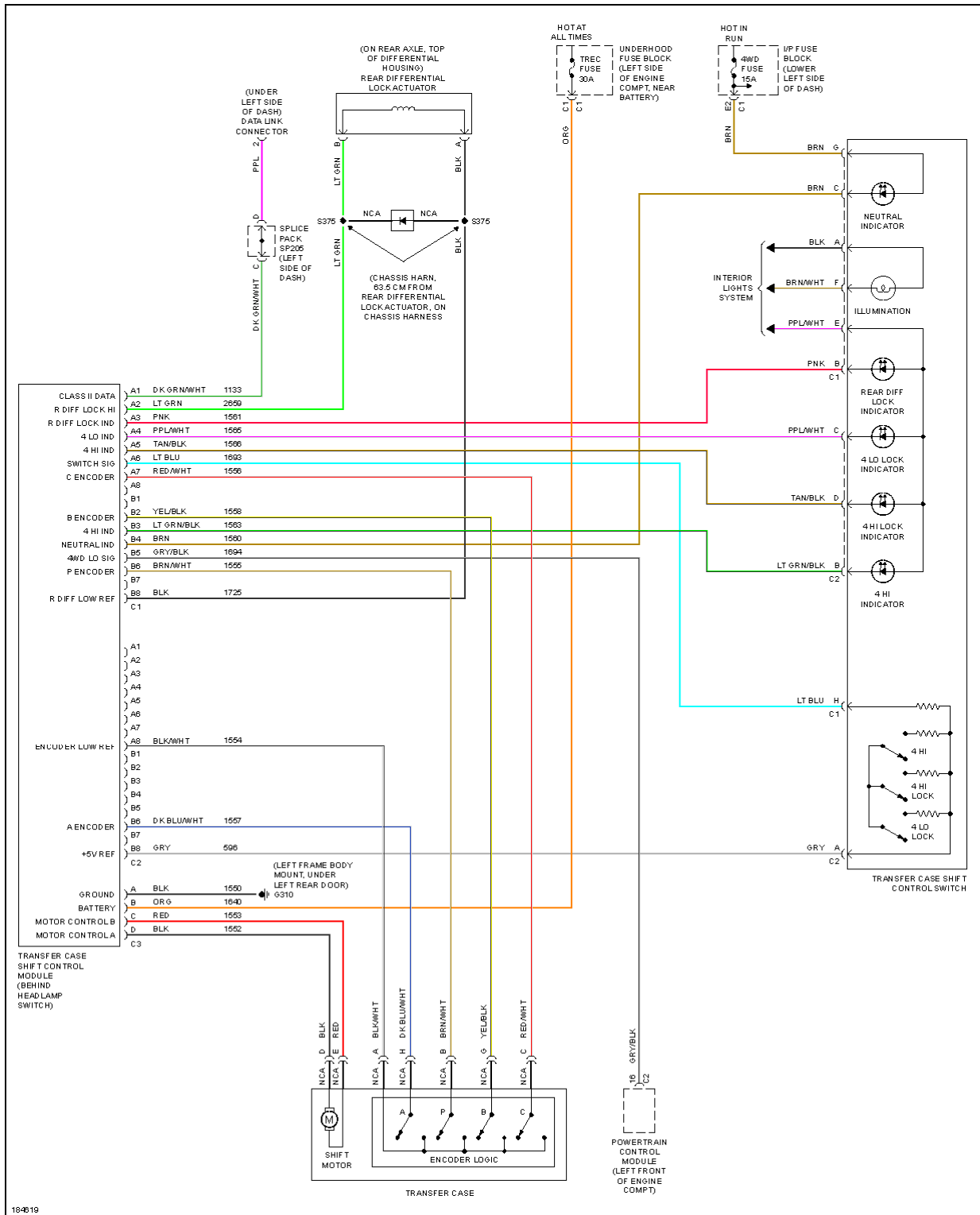


Fig. 63: Transfer Case Circuit

WARNING SYSTEMS

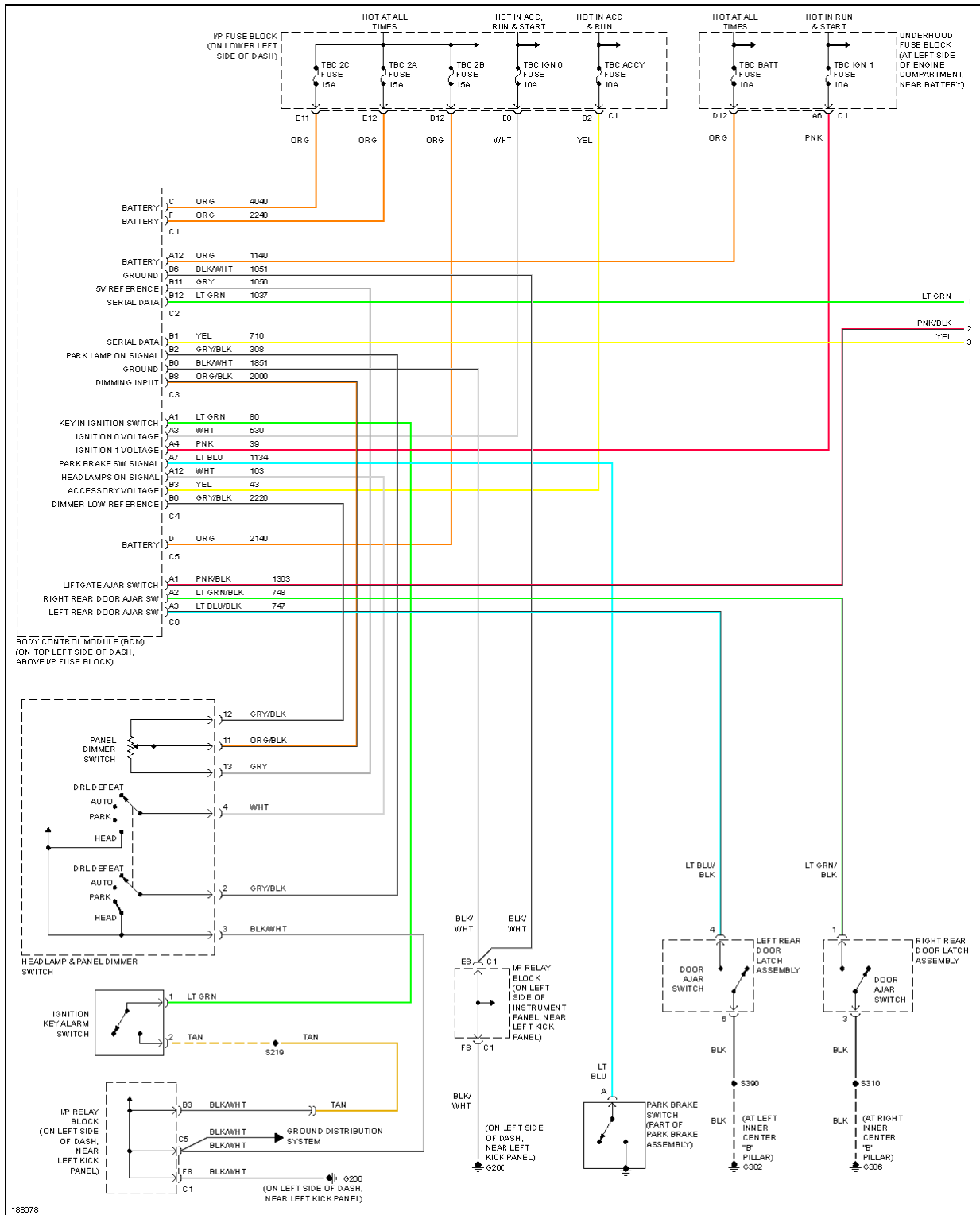


Fig. 64: Warning Systems Circuit (1 of 2)

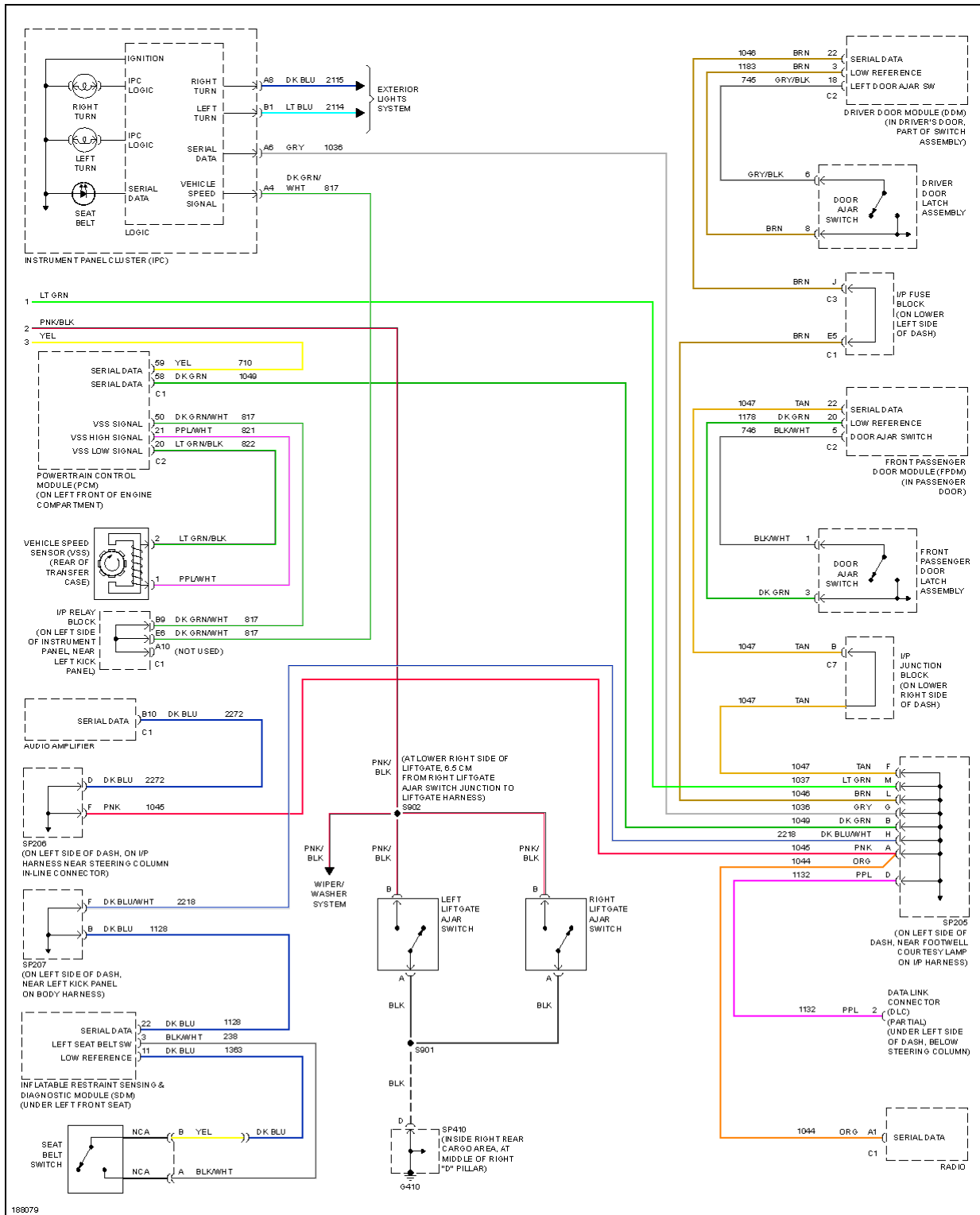


Fig. 65: Warning Systems Circuit (2 of 2)

WIPER/WASHER

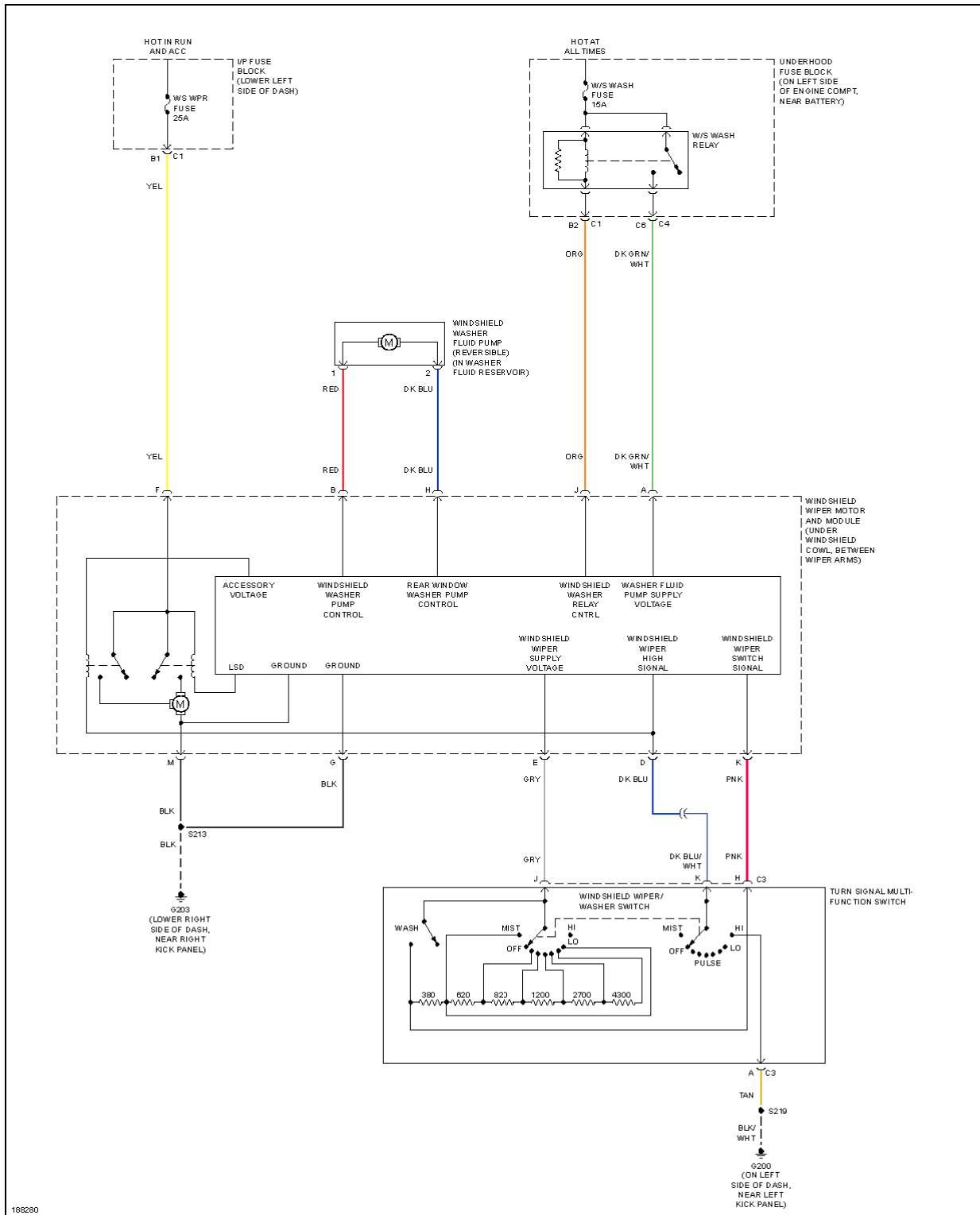


Fig. 66: Front Wiper/Washer Circuit

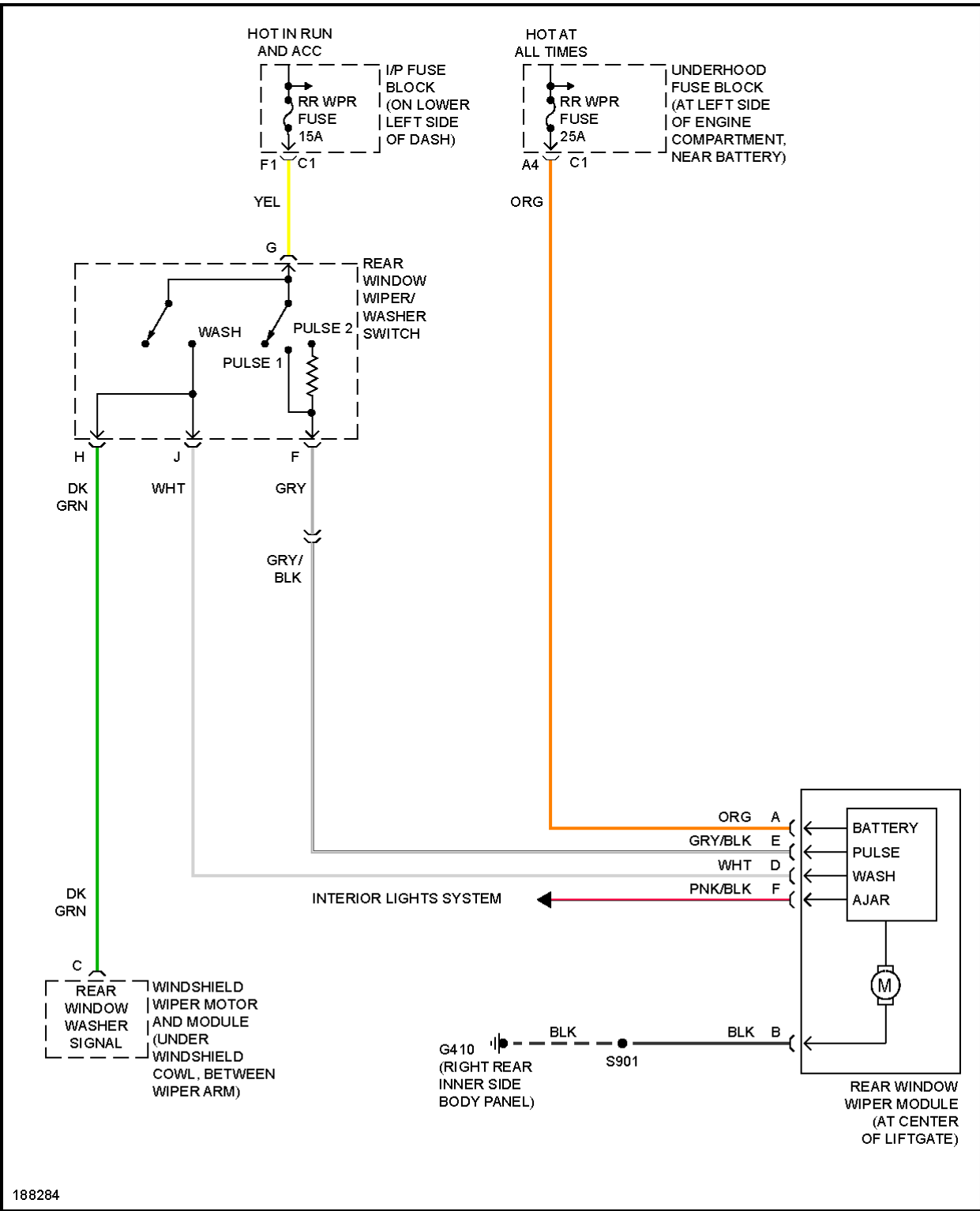


Fig. 67: Rear Wiper/Washer Circuit