

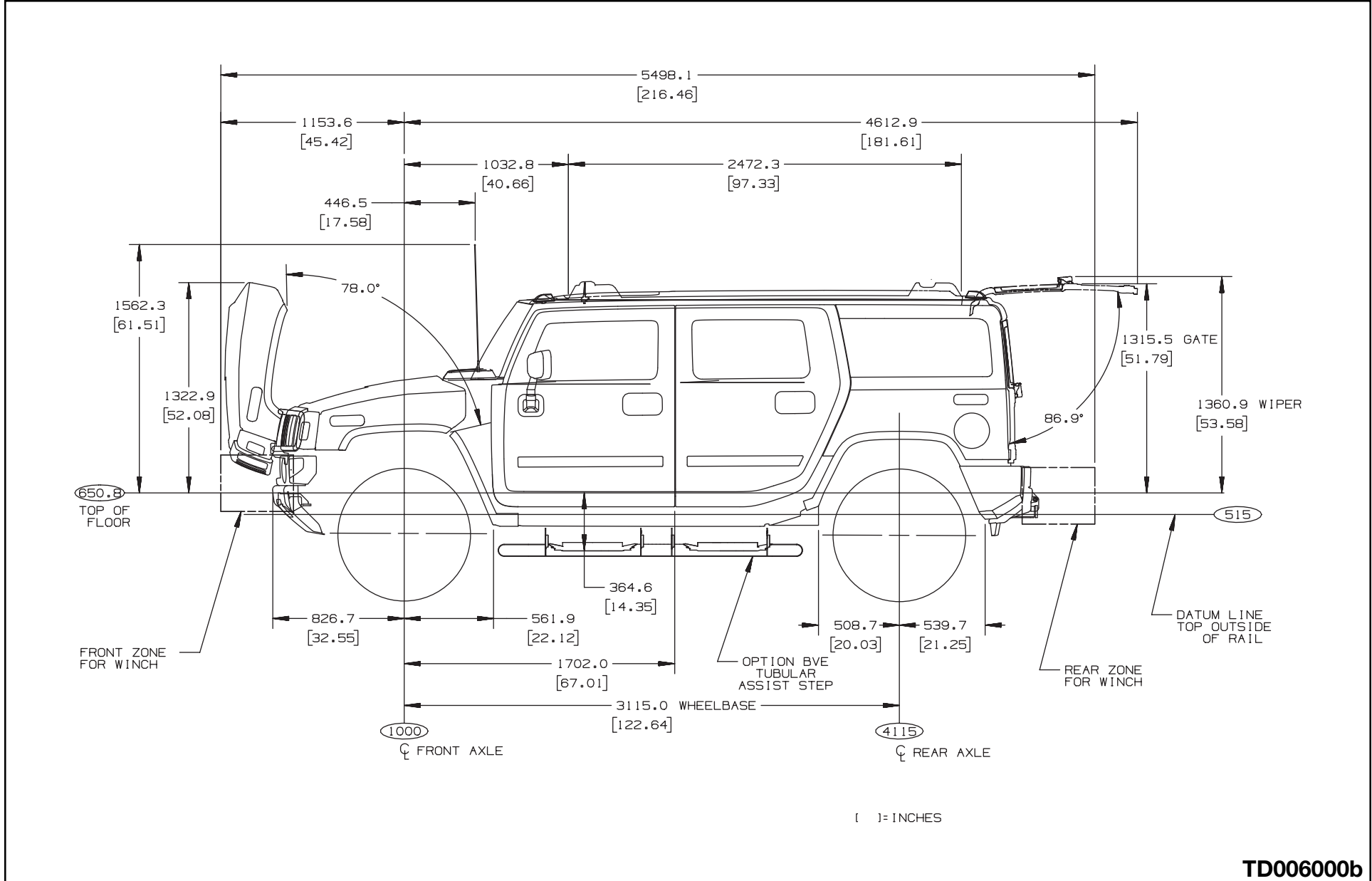
# ***HUMMER, H2 – SPORT UTILITY VEHICLE (SUV)***

---

Exterior General Arrangement - N25706 .....	1
Exterior General Arrangement - N25706 .....	2
Interior Seating - N25706 .....	3
Interior Seating - N25706 .....	4
Frame & Crossmember Arrangement - N25706 .....	5
Front Axle/Suspension Tire Data - N25706 .....	6
Rear Axle/Suspension Tire Data - N25706 .....	7
Exhaust System & Fuel Tank - N25706 .....	8

# HUMMER, H2 – SPORT UTILITY VEHICLE (SUV)

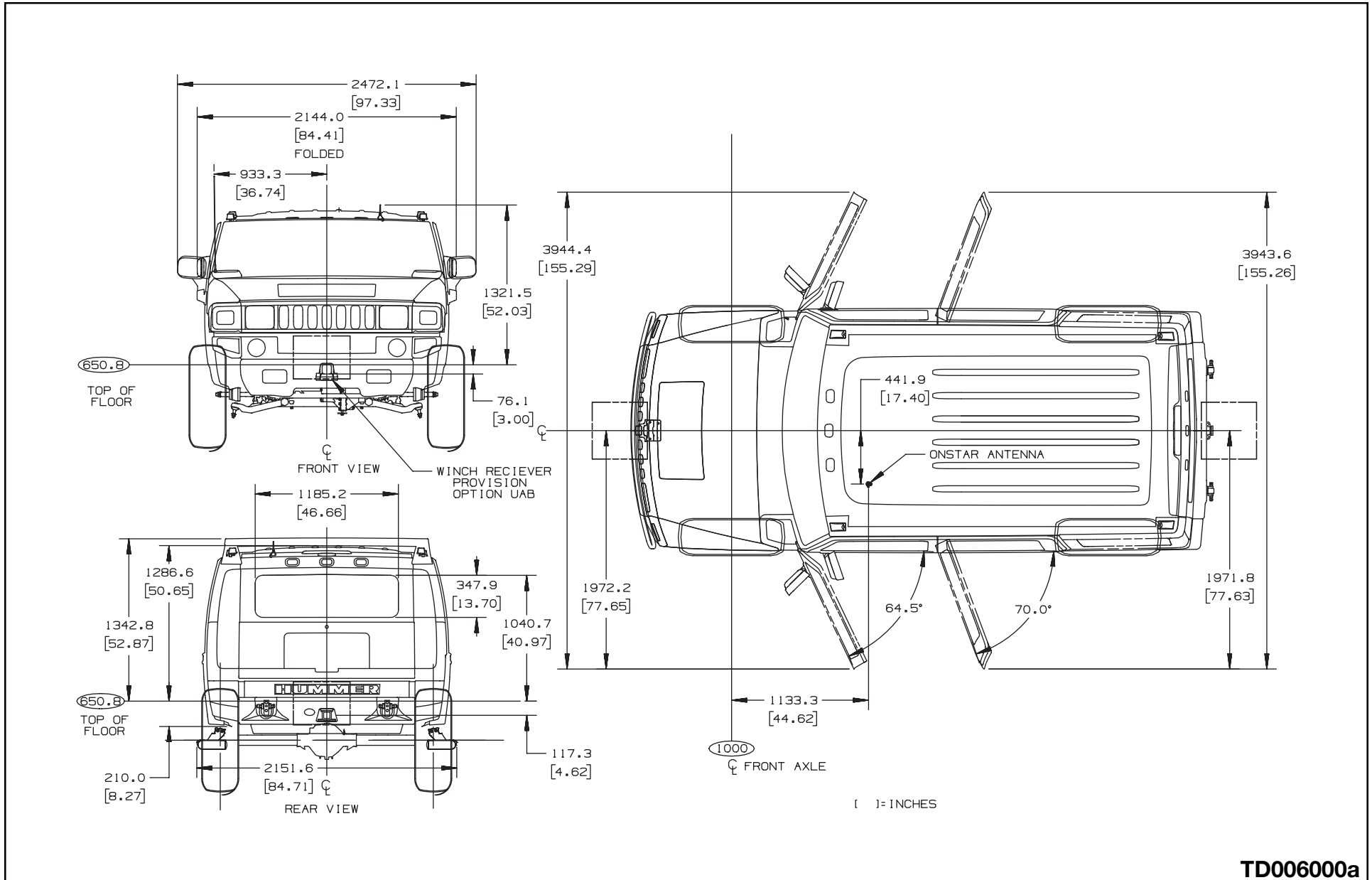
## Exterior General Arrangement - N25706



TD006000b

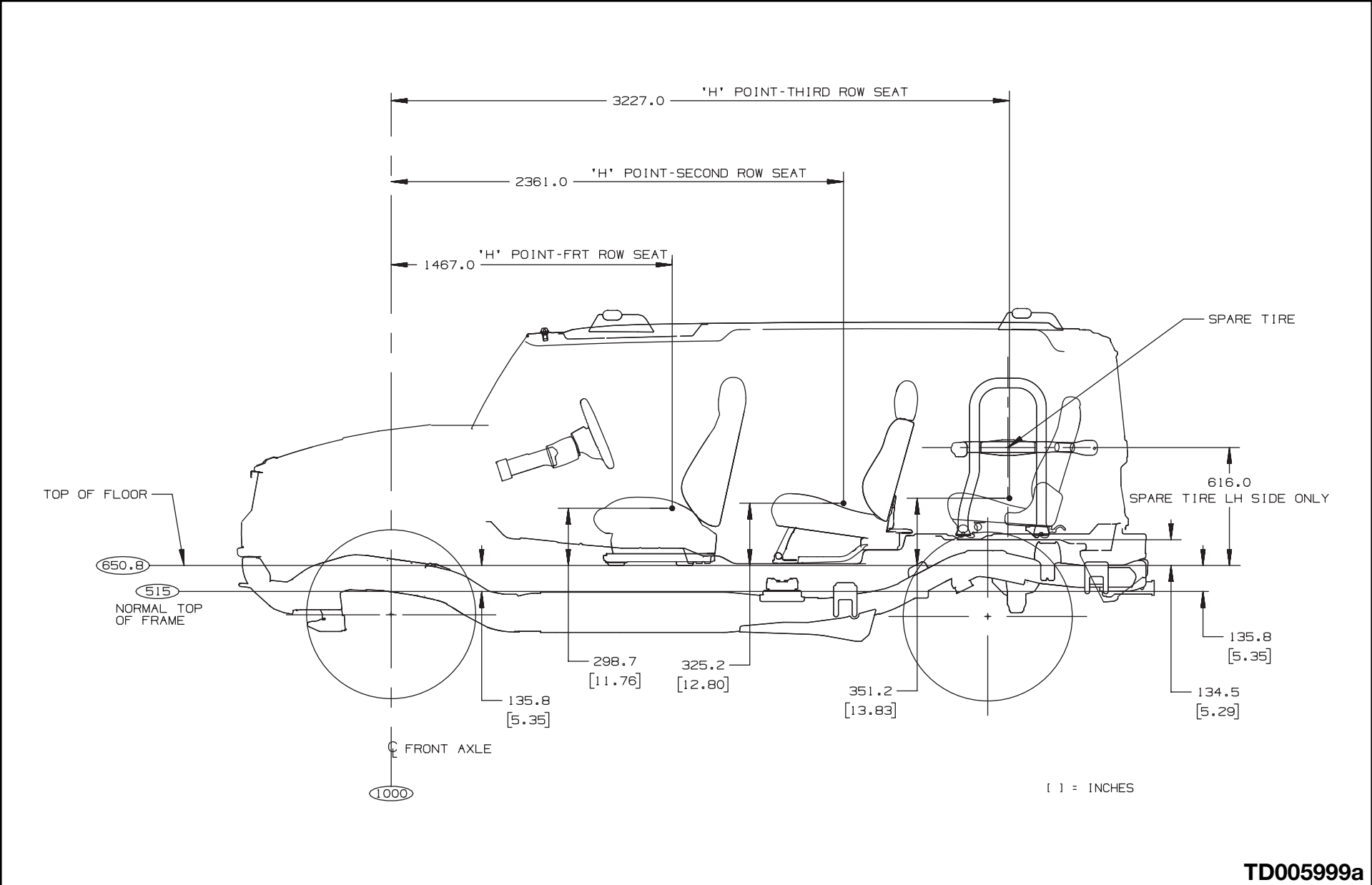
# HUMMER, H2 – SPORT UTILITY VEHICLE (SUV)

## Exterior General Arrangement - N25706



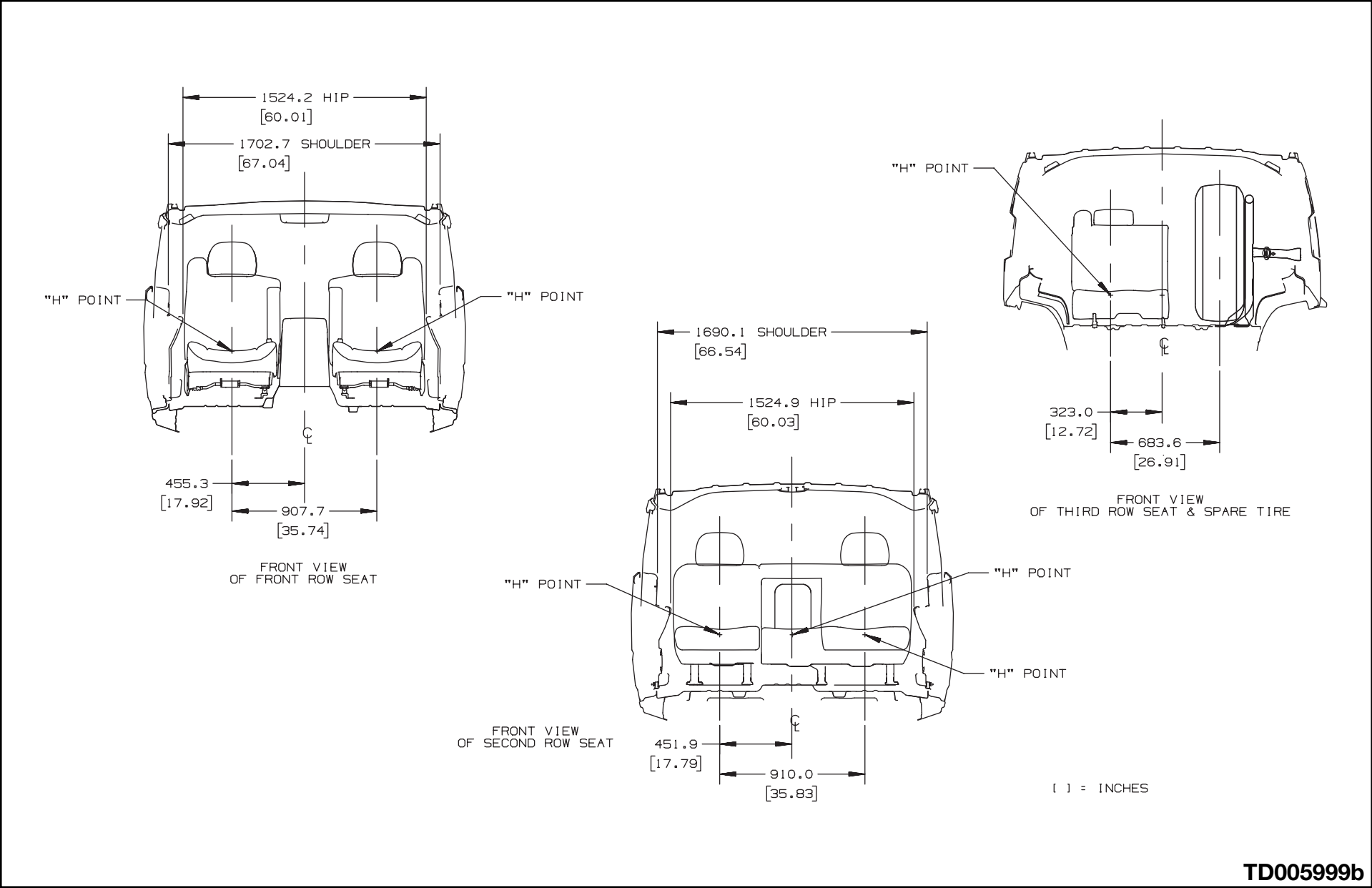
# HUMMER, H2 – SPORT UTILITY VEHICLE (SUV)

## Interior Seating - N25706



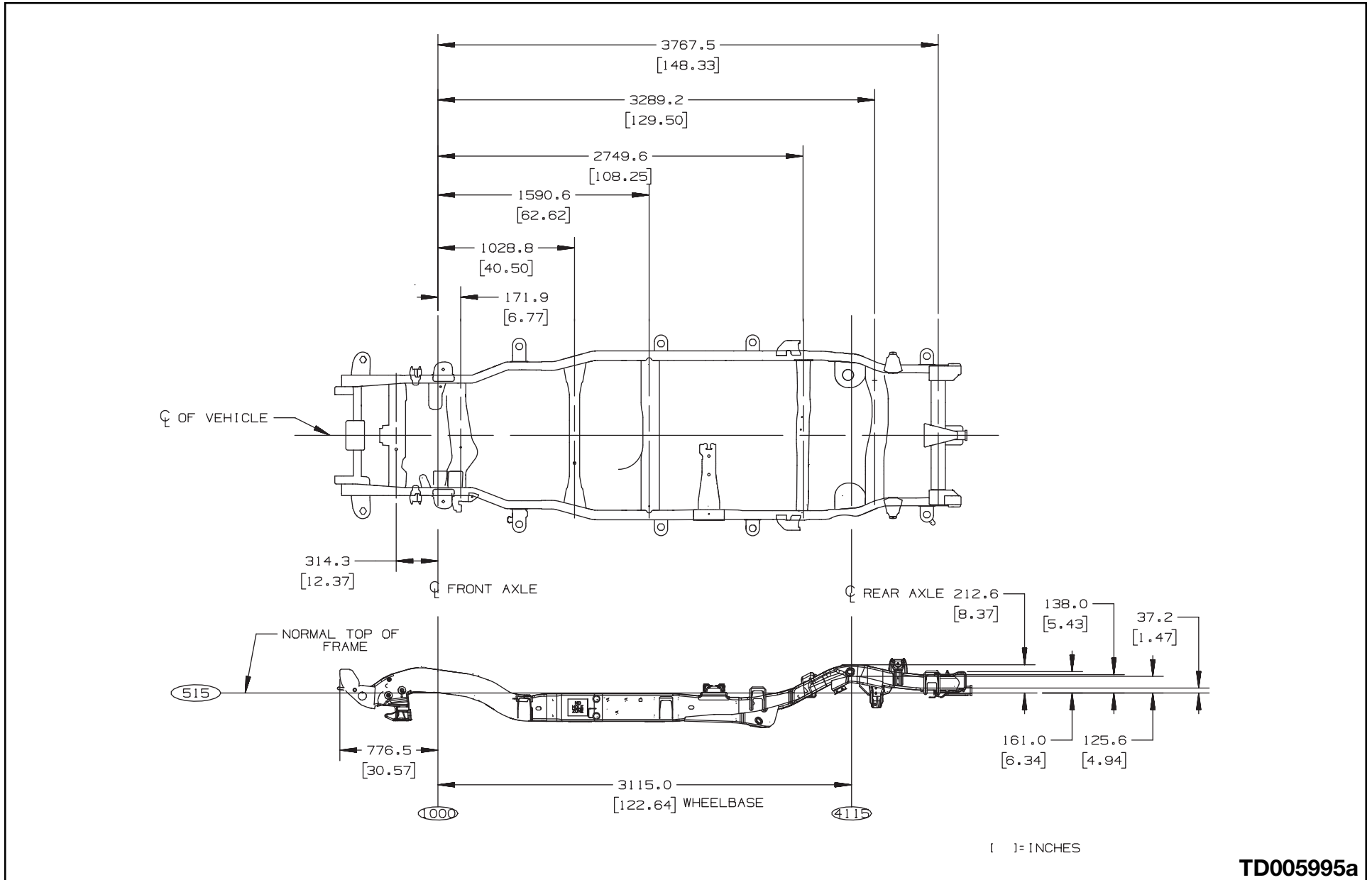
# HUMMER, H2 – SPORT UTILITY VEHICLE (SUV)

## Interior Seating - N25706



# HUMMER, H2 – SPORT UTILITY VEHICLE (SUV)

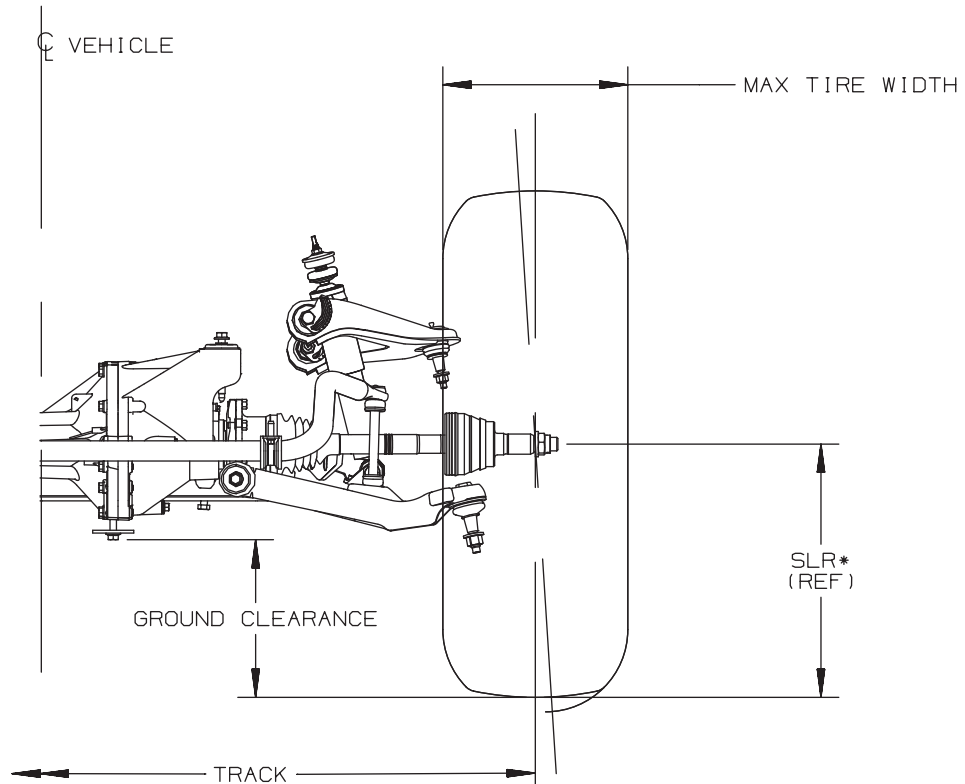
## Frame & Crossmember Arrangement - N25706



TD005995a

# HUMMER, H2 – SPORT UTILITY VEHICLE (SUV)

## Front Axle/Suspension Tire Data - N25706



\* MINIMUM GROUND CLEARANCE TO BE CALCULATED BY USING GROSS AXLE WEIGHT & RECOMMENDED TIRE PRESSURE

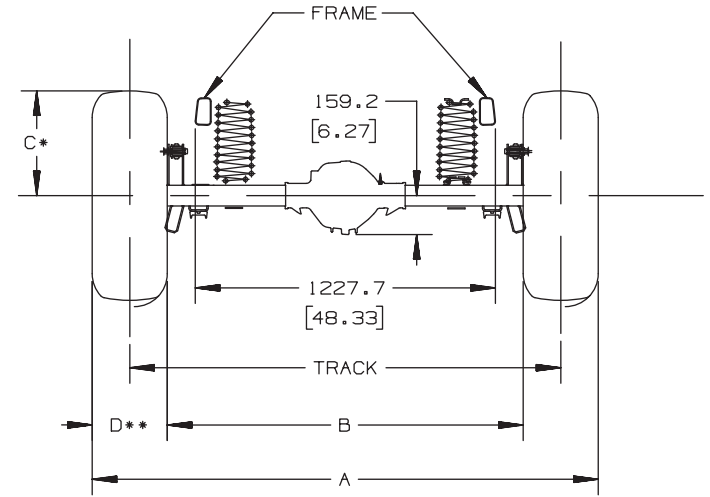
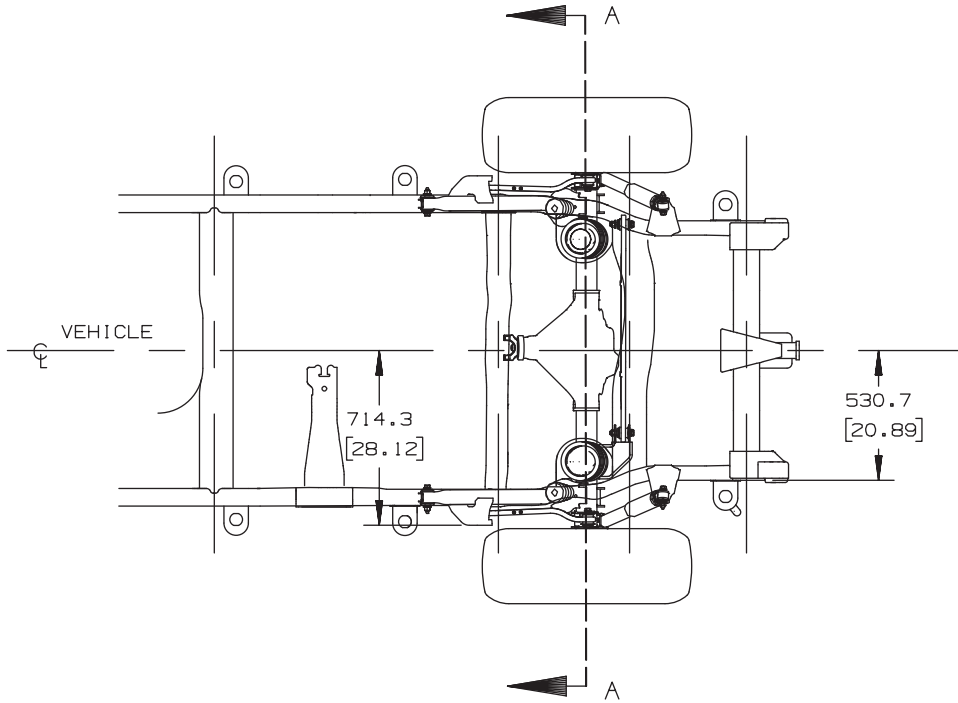
SERIES	TIRE	MAX GVW	REAR WHEEL	TRACK	WHEEL OFFSET	GROUND CLEARANCE	MAX TIRE WIDTH
N25706	LT315/70R17/D	8600	SINGLE	1762.0 (69.37)	31.0 (1.22)	228.0 (8.98)	329.0 (12.95)

[ ] = INCHES

TD005997a

# HUMMER, H2 – SPORT UTILITY VEHICLE (SUV)

## Rear Axle/Suspension Tire Data - N25706



SECTION A - A  
ROTATED 90°

SINGLE WHEELS

A = TRACK + D

TIRE CHAINS NOT INCLUDED B = TRACK - D

TIRE 315 AIR

\* MAX GROWN TIRE RADIUS ON NARROWEST RIM

\*\* MAX GROWN TIRE WIDTH ON WIDEST RIM

SERIES	TIRES	GVW RANGE	REAR WHEEL	TRACK	WHEEL OFFSET	DIM A	DIM B	DIM C*	DIM D**
N25706	LT315/70R17/D	8600	SINGLE	1762.8 (69.40)	31.0 (1.22)	2091.8 (82.35)	1433.8 (56.45)	450.3 (17.73)	329.0 (12.95)

[ ] = INCHES



# HUMMER, H2 – SPORT UTILITY VEHICLE (SUV)

## Exhaust System & Fuel Tank - N25706

