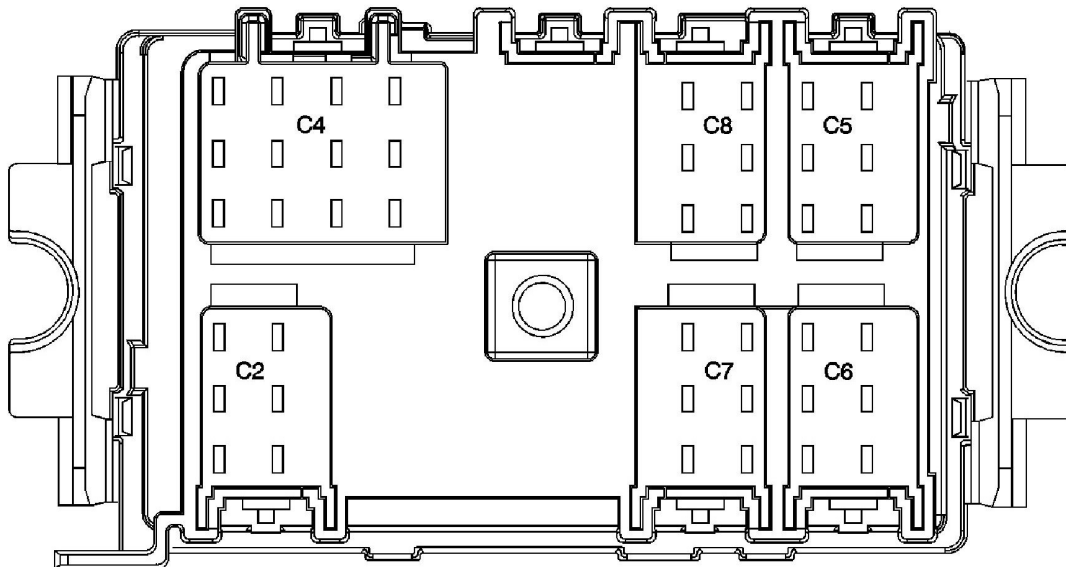
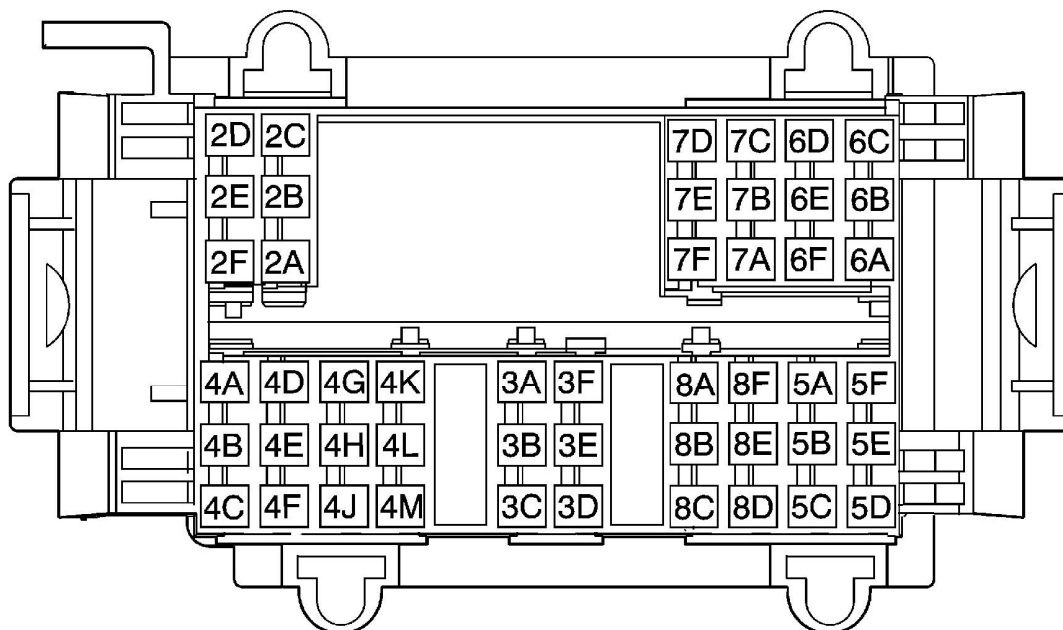


M	--	--	Not Used
---	----	----	----------

**Junction Block - I/P Top View**



**Junction Block - I/P Bottom View**

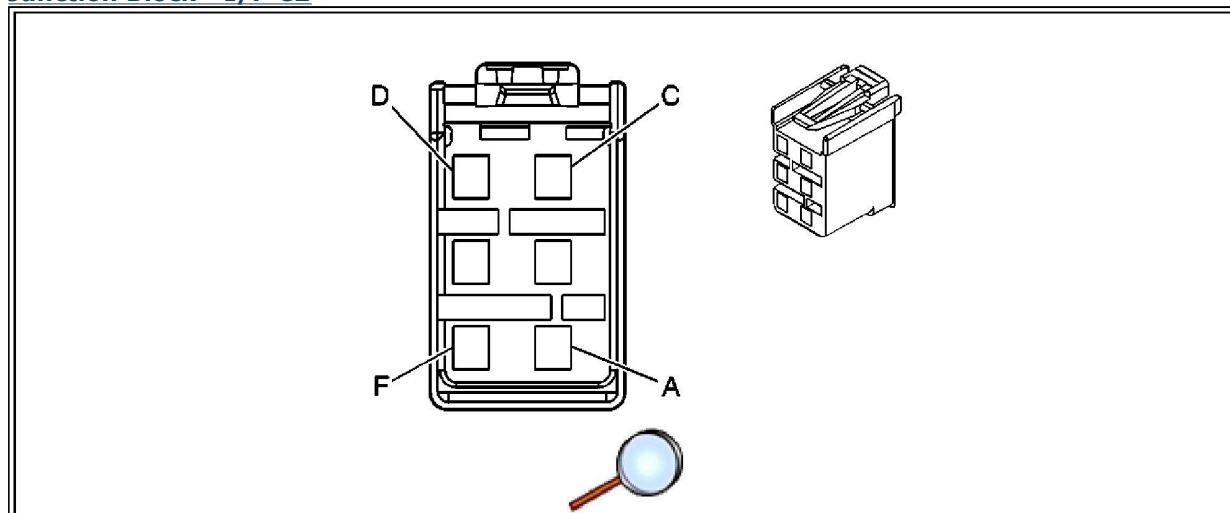


**Junction Block - Wire Entry**

Connector Part Information		<ul style="list-style-type: none"> <li>● 15401495</li> <li>● 48-Way M Metri-Pack 280 Series (BK)</li> </ul>	
Pin	Wire Color	Circuit No.	Function
2A	D-GN	117	Right Front Speaker Output (-)
	D-GN	117	Right Front Speaker Output (-)
2B	L-GN	200	Right Front Speaker Output (+)
	L-GN	200	Right Front Speaker Output (+)
2C-2E	--	--	Not Used
2F	BK	1050	Ground
3A-3F	--	--	Not Used
4A	BK	1050	Ground
4B	GY/BK	2337	Lower Right Air Temperature Sensor Signal
4C	BN	718	Low Reference
4D	RD	542	Battery Positive Voltage
4E	PU	1838	Recirculation Door Position Signal
4F	PU/WH	760	Blower Motor Speed Control
4G-4H	--	--	Not Used
4J	L-BU/BK	1688	5-Volt Reference
4K	--	--	Not Used
4L	YE	1791	Low Reference

4M	--	--	Not Used
5A	--	--	Not Used
5B	L-GN	2275	Mode Door Position Signal
5C	TN	2273	Mode Door Control
5D	D-BU	1199	Left Air Temperature Door Control
5E	L-BU	733	Left Air Temperature Door Position Signal
5F	--	--	Not Used
6A	--	--	Not Used
6B	BN	2409	Interior Park Lamps Supply Voltage
6C	BK	1050	Ground
6D-6F	--	--	Not Used
7A	--	--	Not Used
7B	TN	1047	PDM Class 2 Serial Data
7C	OG	4240	Battery Positive Voltage
7D	--	--	Not Used
7E	OG	1340	Battery Positive Voltage
7F	--	--	Not Used
8A	WH/BK	2339	Lower Left Air Temperature Sensor Signal
8B	--	--	Not Used
8C	BN	341	Ignition 3 Voltage
8D	D-BU	1646	Right Air Temperature Door Position Signal
8E	WH/BK	1236	Right Air Temperature Door Control
8F	D-GN	1614	Recirculation Door Control

**Junction Block - I/P C2**

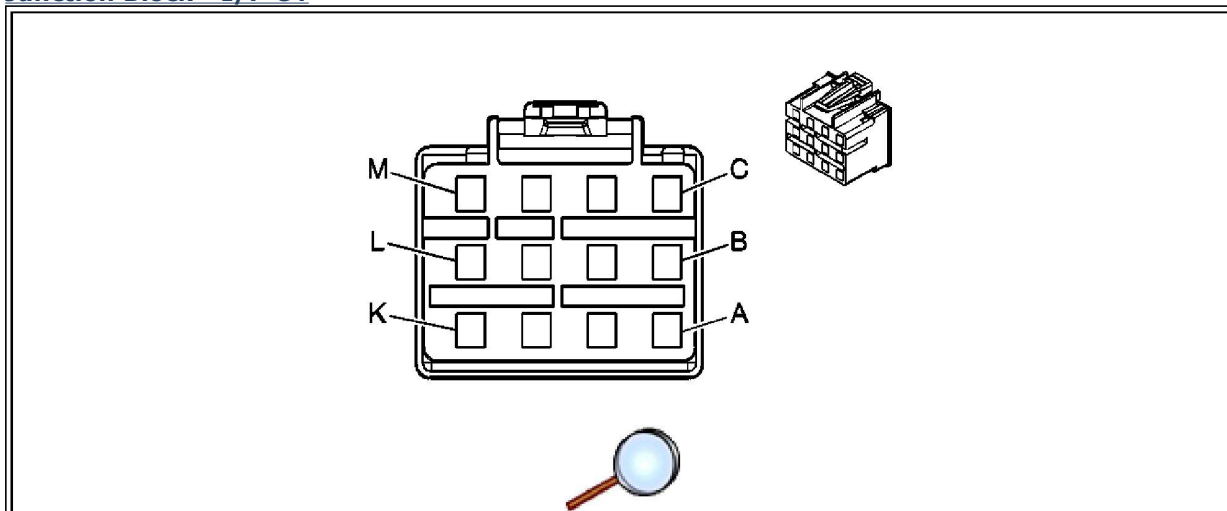


<b>Connector Part Information</b>	• 12193930
	• 6-Way F Metri-Pack 280 Series Flexlock (BK)

Pin	Wire Color	Circuit No.	Function
A	D-GN	117	Right Front Speaker Output (-)

B	L-GN	200	Right Front Speaker Output (+)
C-E	--	--	Not Used
F	BK	1050	Ground

**Junction Block - I/P C4**

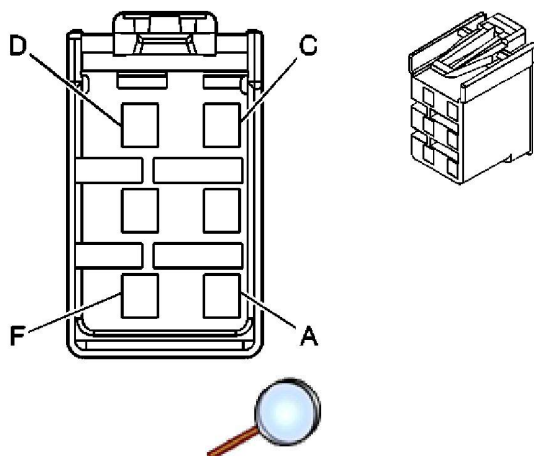


<b>Connector Part Information</b>	<ul style="list-style-type: none"> <li>● <b>12194037</b></li> <li>● <b>12-Way F Metri-Pack 280 Series Flexlock (BN)</b></li> </ul>
-----------------------------------	--

Pin	Wire Color	Circuit No.	Function
A	BK	1050	Ground
B	GY/BK	2337	Lower Right Air Temperature Sensor Signal
C	BN	718	Low Reference
	BN	718	Low Reference
D	RD	542	Battery Positive Voltage
E	PU	1838	Recirculation Door Position Signal
F	PU/WH	760	Blower Motor Speed Control
G	--	--	Not Used
H	L-BU/BK	1688	5-Volt Reference
	L-BU/BK	1688	5-Volt Reference
J	L-BU/BK	1688	5-Volt Reference
	L-BU/BK	1688	5-Volt Reference
K	--	--	Not Used
L	YE	1791	Low Reference
	YE	1791	Low Reference
M	YE	1791	Low Reference
	YE	1791	Low Reference

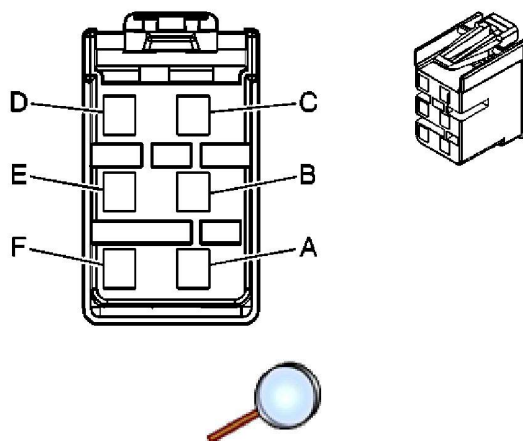
**Junction Block -- I/P C5**

--	--	--	--



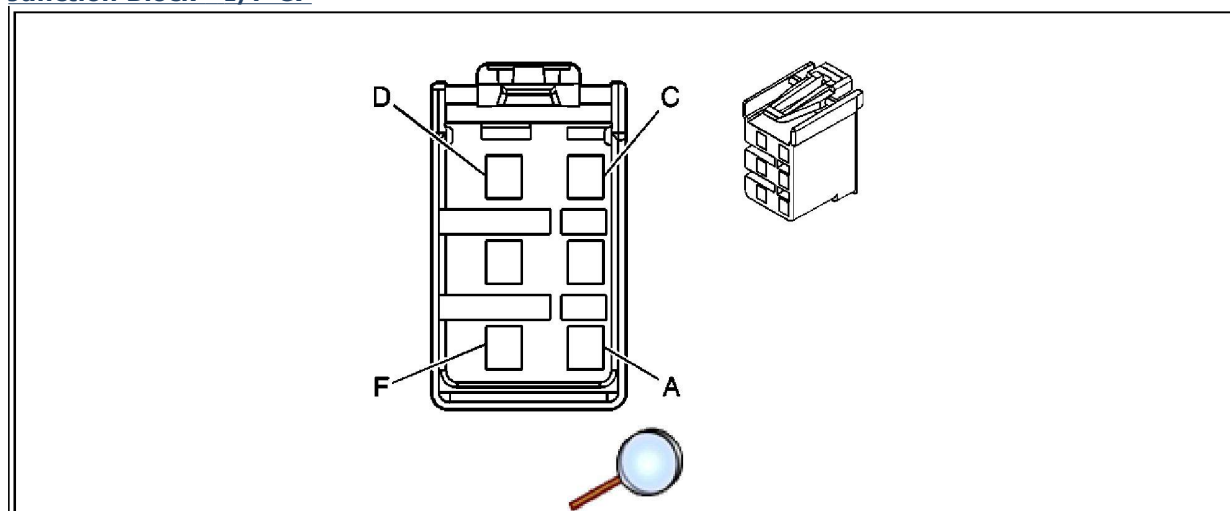
<b>Connector Part Information</b>		<ul style="list-style-type: none"> <li>• 12193924</li> <li>• 6-Way F Metri-Pack 280 Series Flexlock (BN)</li> </ul>	
Pin	Wire Color	Circuit No.	Function
A	--	--	Not Used
B	L-GN	2275	Mode Door Position Signal
C	TN	2273	Mode Door Control
D	D-BU	1199	Left Air Temperature Door Control
E	L-BU	733	Left Air Temperature Door Position Signal
F	--	--	Not Used

**Junction Block - I/P C6**



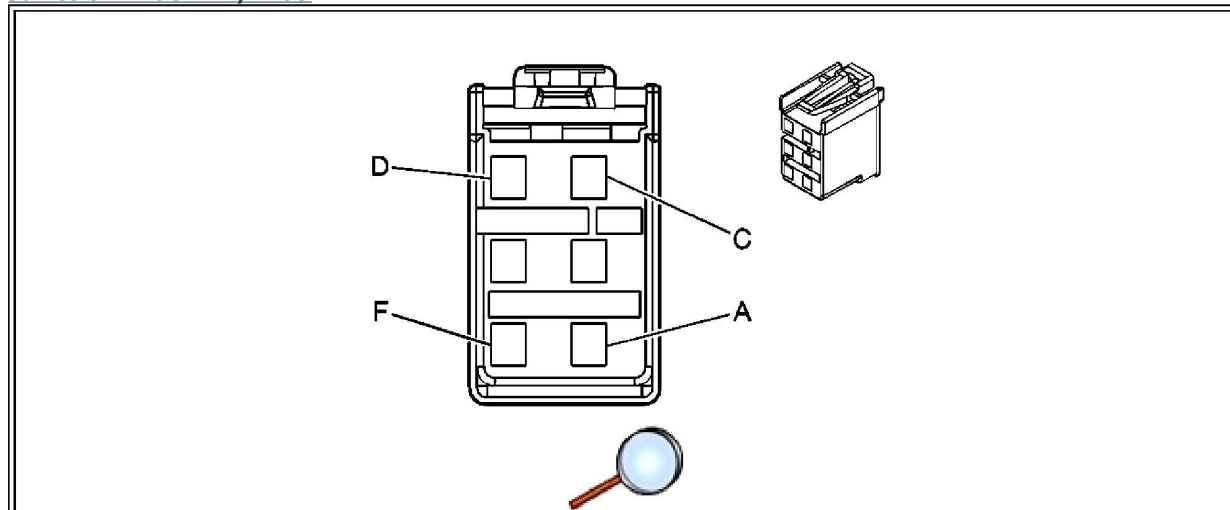
<b>Connector Part Information</b>		<ul style="list-style-type: none"> <li>• 12193929</li> <li>• 6-Way F Metri-Pack 280 Series Flexlock (L-GN)</li> </ul>	
Pin	Wire Color	Circuit No.	Function
A	--	--	Not Used
B	BN	2409	Interior Park Lamps Supply Voltage
C	BK	1050	Ground
D-F	--	--	Not Used

**Junction Block - I/P C7**



<b>Connector Part Information</b>		<ul style="list-style-type: none"> <li>• 12193922</li> <li>• 6-Way F Metri-Pack 280 Series Flexlock (CM)</li> </ul>	
Pin	Wire Color	Circuit No.	Function
A	--	--	Not Used
B	TN	1047	PDM Class 2 Serial Data
C	OG	4240	Battery Positive Voltage
D	--	--	Not Used
E	OG	1340	Battery Positive Voltage
F	--	--	Not Used

**Junction Block - I/P C8**



<b>Connector Part Information</b>		<ul style="list-style-type: none"> <li>• 12193928</li> <li>• 6-Way F Metri-Pack 280 Series Flexlock (GY)</li> </ul>	
Pin	Wire Color	Circuit No.	Function
A	WH/BK	2339	Lower Left Air Temperature Sensor Signal
B	BN	341	Ignition 3 Voltage
	BN	341	Ignition 3 Voltage

C	BN	341	Ignition 3 Voltage
	BN	341	Ignition 3 Voltage
D	D-BU	1646	Right Air Temperature Door Position Signal
E	WH/BK	1236	Right Air Temperature Door Control
F	D-GN	1614	Recirculation Door Control