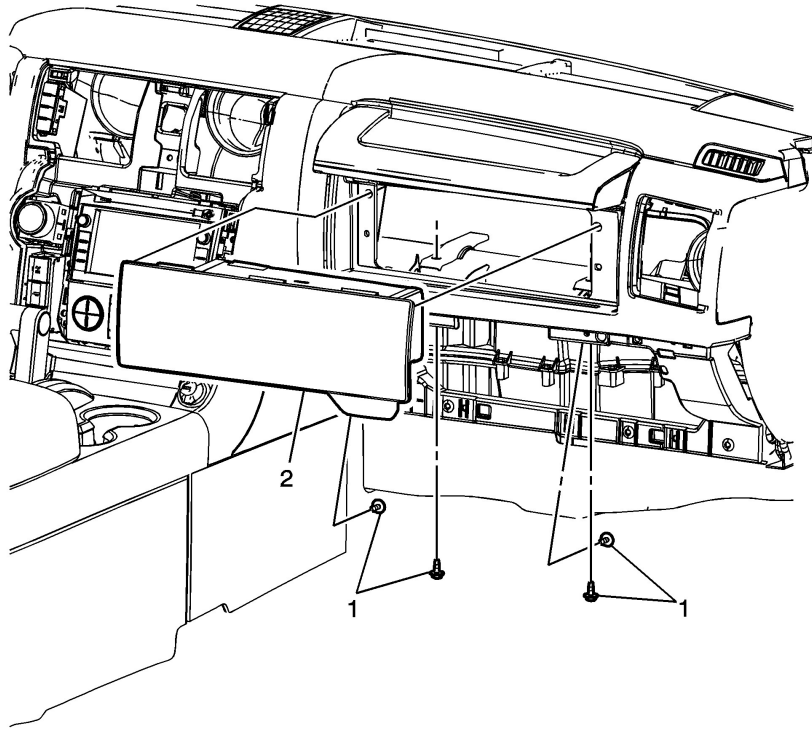


Instrument Panel Inflatable Restraint Module Replacement



Callout	Component Name
<p>Caution: Refer to SIR Inflator Module Handling and Storage Caution in the Preface section.</p> <p>Caution: Refer to SIR Caution in the Preface section.</p> <p>Preliminary Procedure</p> <ul style="list-style-type: none"> • Disable the SIR system. Refer to SIR Disabling and Enabling . • Remove the instrument panel center air outlet bezel. Refer to Instrument Panel Center Air Outlet Bezel Replacement . • Remove the right instrument panel outer air outlet bezel. Refer to Instrument Panel Outer Air Outlet Bezel Replacement - Right Side . • Remove the instrument panel compartment door opening frame . Refer to Instrument Panel Compartment Door Opening Frame Replacement . 	
1	Instrument Panel Inflatable Restraint Module Bolt (Qty: 4) © 2020 General Motors Corporation. All rights reserved.

	<p>Notice: Refer to Fastener Notice in the Preface section.</p> <p>Tighten 10 N·m (89 lb in)</p>
2	<p>Instrument Panel Inflatable Restraint Module Assembly</p> <p>Procedure</p> <ul style="list-style-type: none">• Disconnect the electrical connections.• Ensure that the instrument panel inflatable restraint module is fully deployed before disposal. If the module was replaced under warranty, fully deploy and dispose of the module after the required retention period. Refer to Inflator Module Handling and Scrapping .• Enable the SIR system. Refer to SIR Disabling and Enabling .